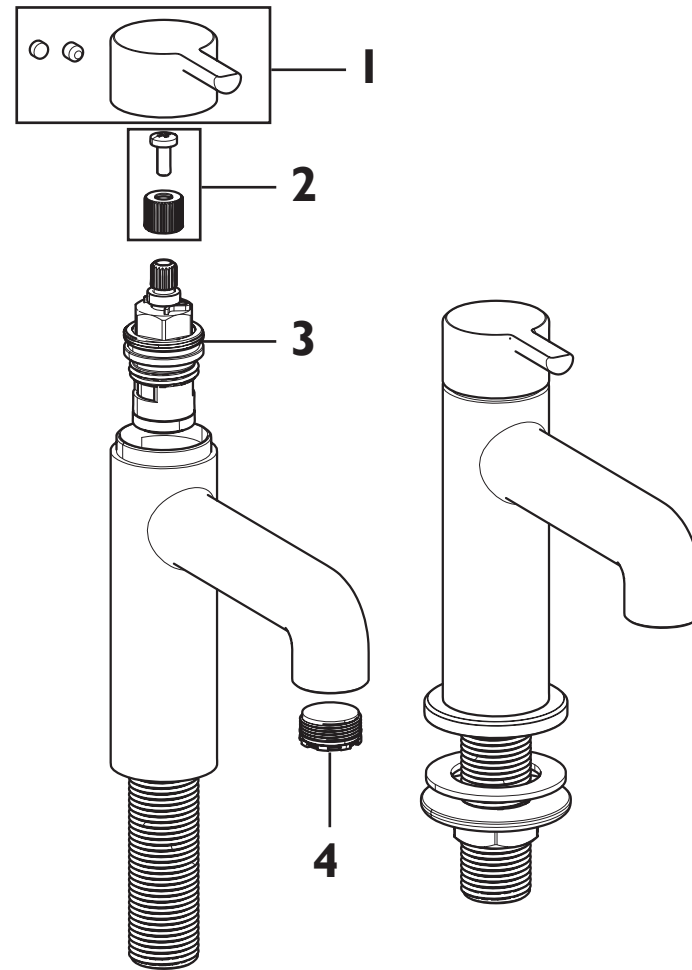


**Product Code:** AL 1/2 Range**Revision:** DI

1	Handle Assembly (Pair)
2	Screw and Spline Adaptor
3	Valves
4	Aerator
5	Plinth and Washer
6	Backnut and Washer

