

HOURGLASS BB SHWR PK2

HOURGLASS Shower Range

Hourglass Concealed Dual
Control Shower Pack
Brushed Brass



Features:

- All in one box - pack includes shower valve with integral two outlet diverter, slimline 200mm round drench head with shower arm, and shower kit with an adjustable riser rail plus a multi function handset and wall outlet.
- Multi function rub clean handset and drench head - limescale and debris build-up is quickly and easily removed by rubbing a finger or a cloth over the nozzles.
- On-trend brushed brass finish to make a statement in your bathroom.
- Easy installation with an adjustable faceplate that fits total wall depths from 60mm to 75mm for a perfect flush finish
- Dual control - Flow and temperature are operated separately giving accurate control of both.

Product Certifications:



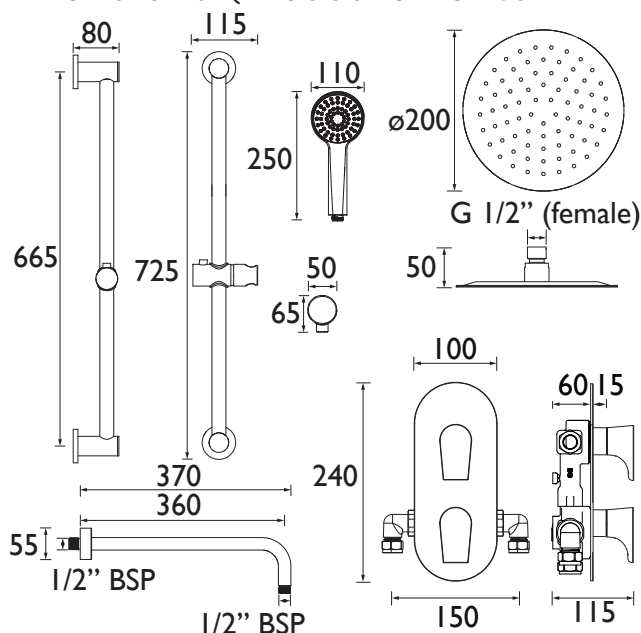
For more products, visit our website:
<http://www.bristan.com>



Specification

| | |
|--|---|
| Finish/Colour: | Brushed Brass |
| Main Construction Material: | Brass; ABS |
| No of Controls: | 2 |
| Shower Type: | Dual Control |
| Shower Head Type: | Both |
| Shower Kit: | Adjustable Riser with Fixed Head |
| Valve/Cartridge Type: | 40mm Single Lever Cartridge |
| Maximum Hot Water Supply Temperature °C: | 65 |
| Plumbing System Suitability: | Suitable for all plumbing systems, ideally balanced |
| Minimum Dynamic Pressure (bar): | 0.2 |
| Maximum Dynamic Pressure (bar): | 5 |
| Maximum Static Pressure (bar): | 10 |
| Connection Inlet: | 15mm Compression |
| Connection Outlet: | G 1/2" |
| Isolation Valve Included: | No |
| Check Valve Included: | Yes |

Dimensions (measurements in mm)



Flow Rates (l/min)

| System Pressure (bar) | 0.2 | 0.5 | 1 | 2 | 3 | 5 |
|--|------|------|------|-------|-------|------|
| Through Handset (without flow limiter) | 2.74 | 5 | 7.71 | 11.88 | 14.24 | NPD |
| Through Handset (with flow limiter) | 2.58 | 4.42 | 6.64 | 7.97 | 8.53 | 8.84 |
| Through Fixed Head (without flow limiters mixed) | 3.43 | 5.89 | 8.77 | 13.14 | 16.92 | NPD |
| Through Fixed Head (with flow limiters mixed) | 2.78 | 4.87 | 6.96 | 8 | 8.47 | 8.95 |

TECHNICAL DATA SHEET



BRISTAN

D1