

SA PROSNK C

SABRE Tap Range Sabre Professional Sink Mixer Chrome



Features:

- Swivel spout with professional pull-down hose for easy use
- Eco Start technology saves energy by having cold water as the default central start position of the tap handle. Hot water is only activated when the tap lever is moved from the central position, so your boiler is not unnecessarily fired up
- Everything you need in the box including flexible tails and fixing kit
- Long life ceramic cartridge for added durability and ease of use
- High quality metal fixings for security and durability
- Particular attention should be paid to this product which will need to be installed in accordance with your local Water Authority/Water Regulations

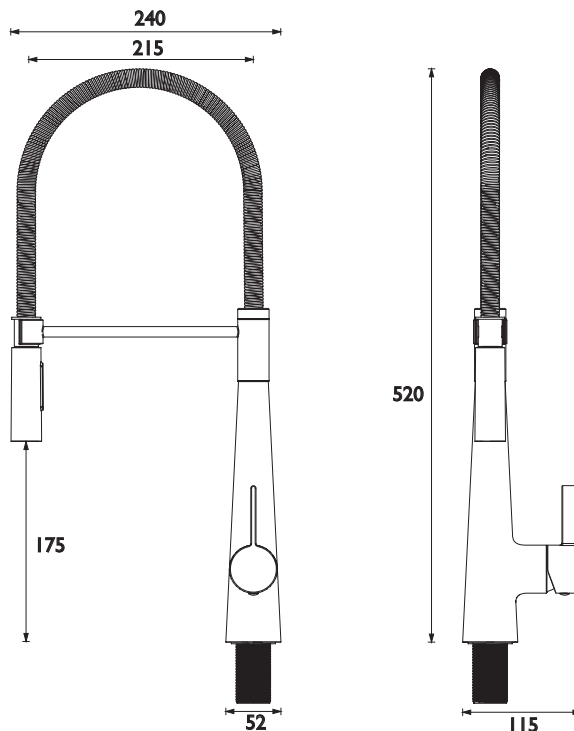
Product Certifications:



Specification

| | |
|--|---|
| Product Type: | Kitchen Taps |
| Main Construction Material: | Stainless Steel; ABS |
| Mount Type: | Deck |
| Handle Type: | Lever |
| Connection Inlet: | 1/2" BSP Flexible Tails |
| Connection Outlet: | Spray Handset |
| Number of Tap Holes: | 1 |
| Valve/Cartridge Type: | 35mm Eco-Start Cartridge |
| Plumbing System Requirements: | Suitable for high pressure systems only |
| Minimum Dynamic Pressure (bar): | 1.5 bar |
| Maximum Dynamic Pressure (bar): | 5 bar |
| Maximum Hot Water Temperature °C: | 60°C |
| Maximum Static Pressure (bar): | 10 bar |
| Flow Type: | Single |
| Isolation Included: | No |

Dimensions (measurements in mm)



Flow Rates (l/min)

| System Pressure (bar) | 1.5 | 2 | 3 | 4 | 5 |
|-----------------------|-----|-----|-----|-----|------|
| SA PROSNK C (mixed) | 6.1 | 6.9 | 8.6 | 9.9 | 11.1 |

TECHNICAL
DATA
SHEET



BRISTAN

D1