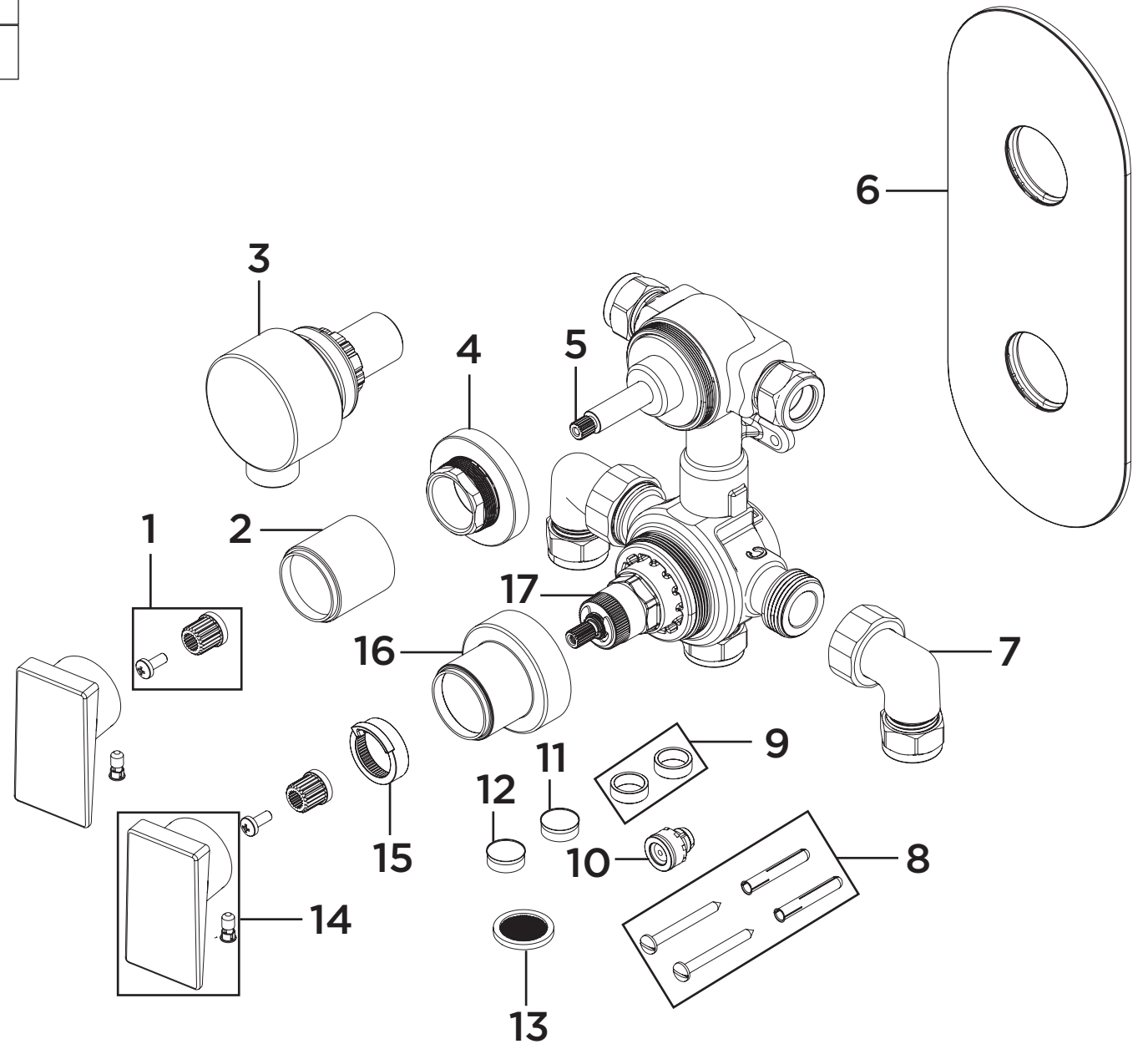


Product Code: SAI SHCDIV RANGE

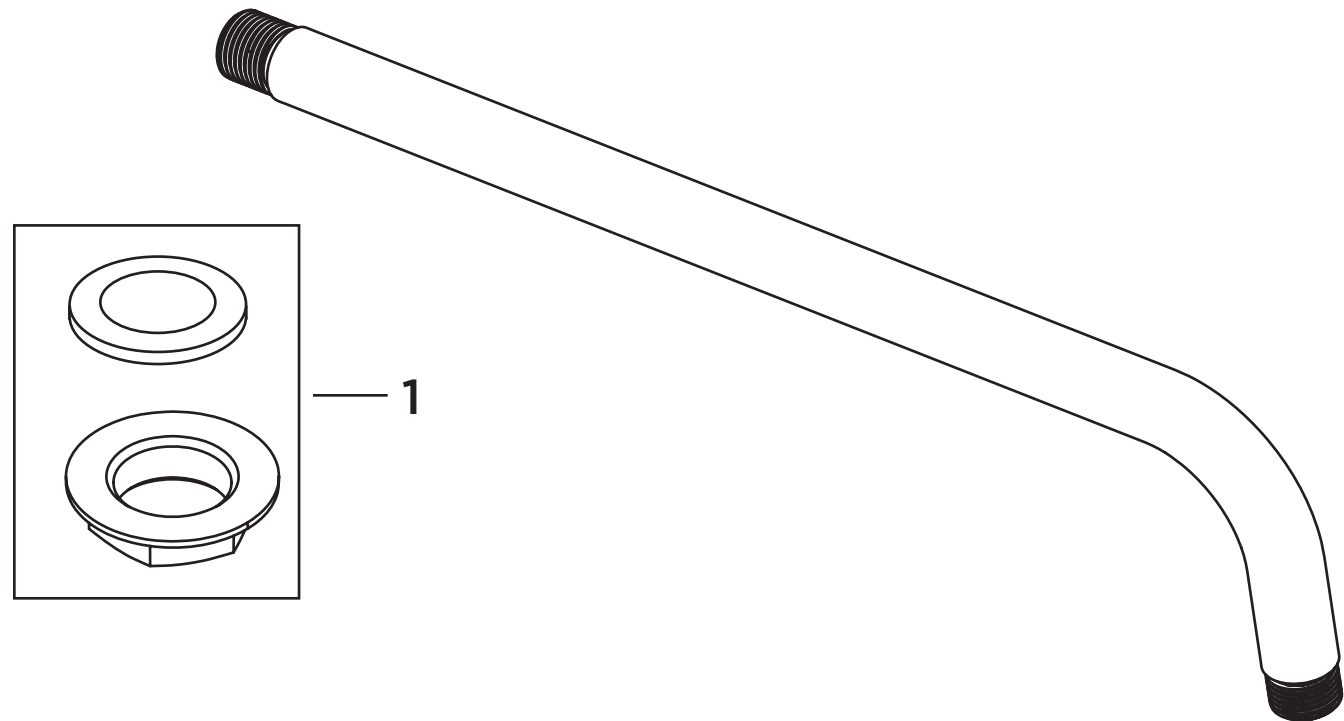
Revision: D4

1	Spline Adaptor
2	Diverter Shroud
3	Wall Outlet
4	Diverter Retaining Nut
5	Diverter Cartridge
6	Concealing Plate
7	Elbow Assembly
8	Screw Pack
9	Inserts (Pair)
10	Check Valve
11	5lpm Flow Limiter
12	7lpm Flow Limiter
13	Filter Washer
14	Handle Assembly
15	Temperature Stop
16	Temperature Shroud
17	Thermostatic Cartridge

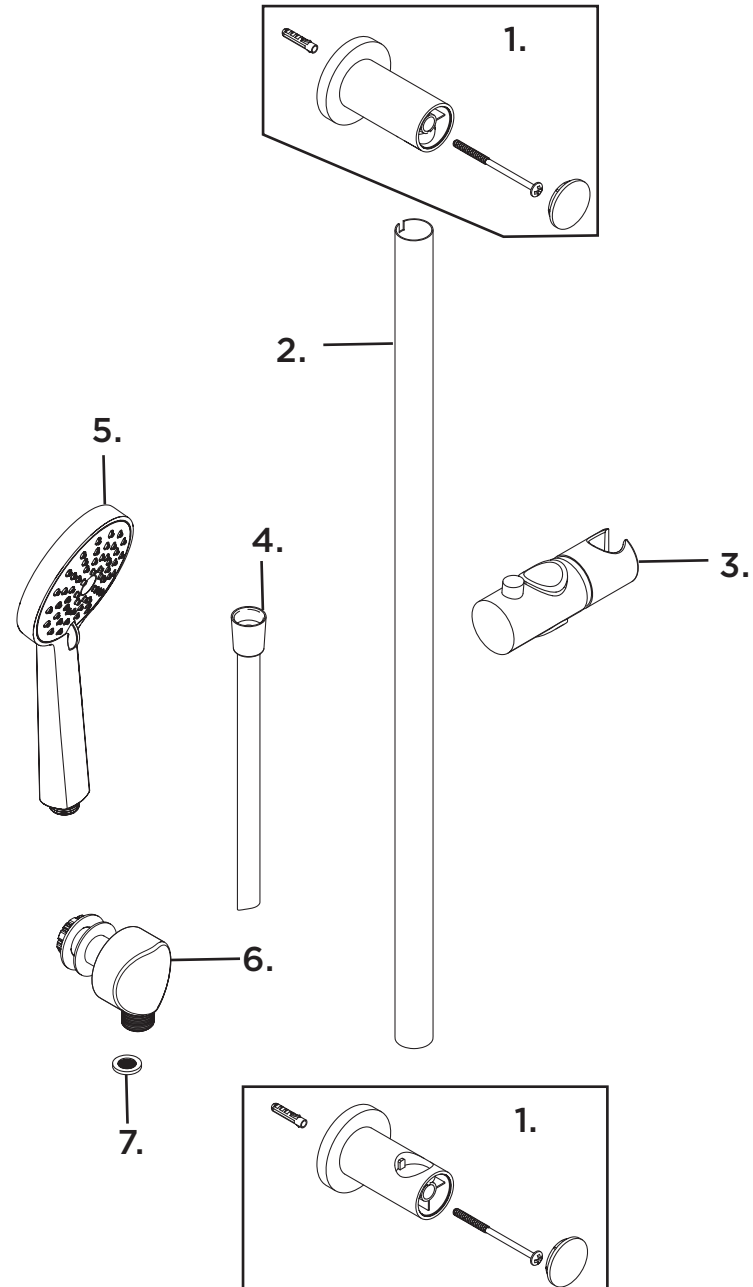


Product Code: ARM CTRD02 C/BB/BLK

Revision: D1



1	Backnut & Locking Nut
---	-----------------------

Product Code: RND KIT01 Range**Revision:** D2

1	Top Wall Bracket
2	650mm Riser Rail
3	Slider
4	1.5m Cone to Nut Hose
5	Multi-Function Handset
6	Wall Outlet
7	Filter Washer