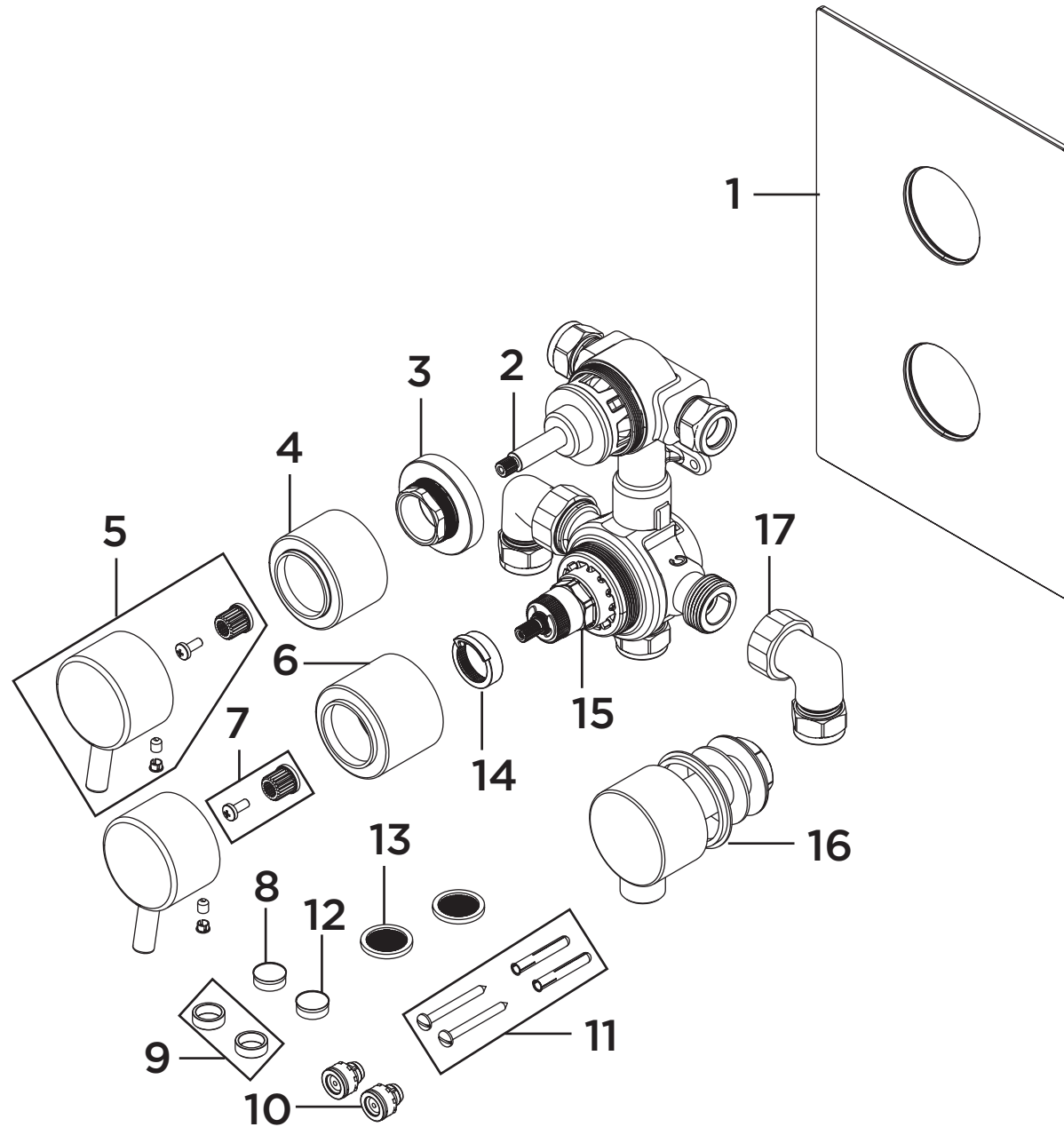
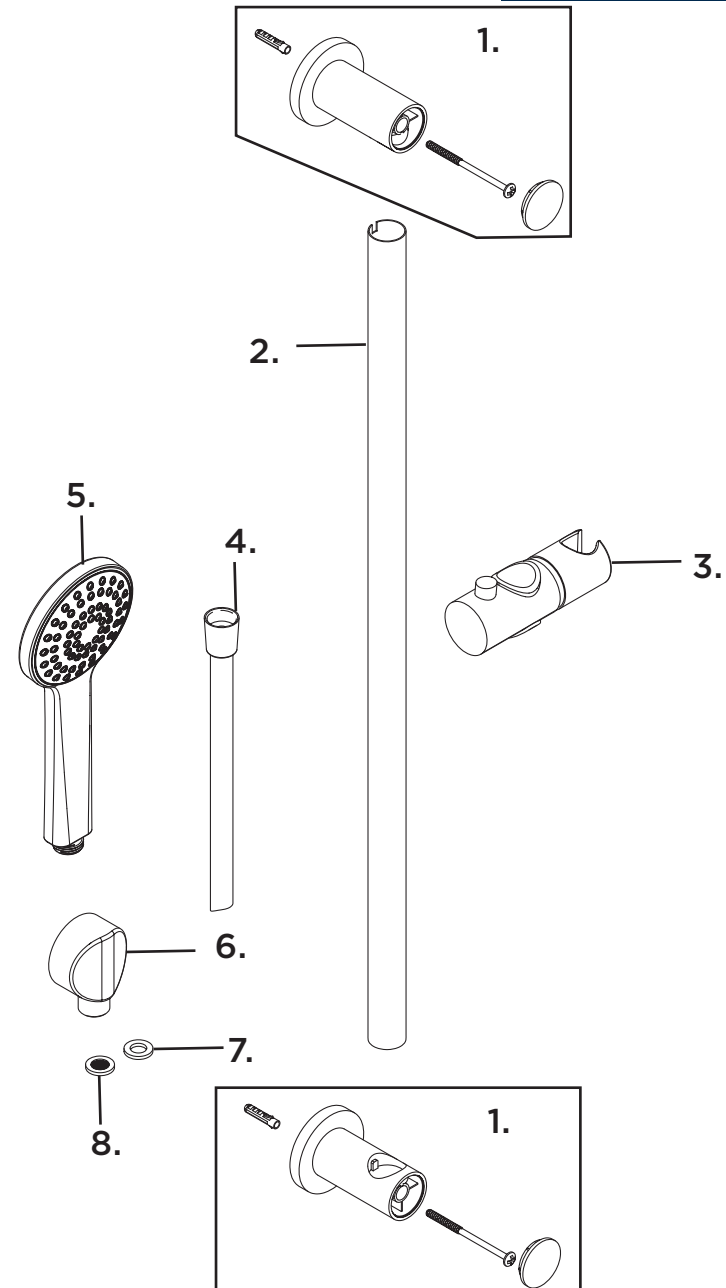


**Product Code:** PRISM BB SHWR PK

**Revision:** D1

1	Concealing Plate
2	40mm Diverter Cartridge
3	Diverter Retaining Nut
4	Diverter Shroud
5	Handle Assembly inc. Spline Adaptor
6	Temperature Shroud
7	Spline Adaptor
8	5lpm Flow Limiter
9	Inserts (Pair)
10	1/2" Check Valve
11	Screw Pack
12	7lpm Flow Limiter
13	Filter Washer
14	Temperature Stop
15	Thermostatic Cartridge
16	Wall Outlet
17	Elbow Assembly



**Product Code:** PRISM BB SHWR PK**Revision:** D1

1	Top Wall Bracket
2	650mm Riser Rail
3	Slider
4	1.5m Cone to Nut Hose
5	Multi-Function Handset
6	Wall Outlet
7	Sealing Washer
8	Filter Washer