

# SAF ES BAS BLK

## SAFFRON Tap Range Saffron Eco Start Basin Mixer with Clicker Waste Black



### Features:

- Eco Start technology saves energy by having cold water as the default central start position of the tap handle. Hot water is only activated when the tap lever is moved from the central position, so your boiler is not unnecessarily fired up.
- This tap has a flow regulator, which limits the flow of water to 5 litres per minute, reducing the amount of water you use.
- Long life ceramic cartridge for added durability and smooth control.
- Everything you need in the box including flexible tails and clicker waste so nothing to buy separately.
- On-trend matt black finish to make a statement in your bathroom.

### Product Certifications:



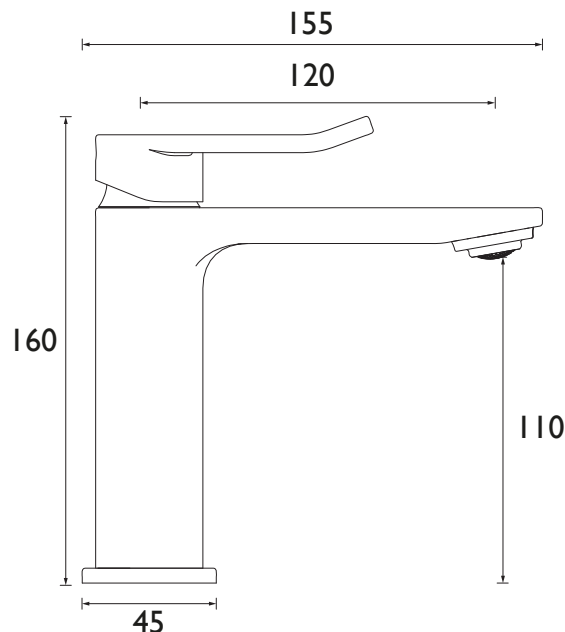
WRAS Certificate No: 2307905  
WRAS Expiry Date: 31/07/2028



### Specification

<b>Product Type:</b>	Bathroom Taps
<b>Main Construction Material:</b>	Brass
<b>Mount Type:</b>	Deck
<b>Handle Type:</b>	Lever
<b>Connection Inlet:</b>	1/2" BSP Flexible Tails
<b>Connection Outlet:</b>	M24 5lpm Coin-Slot Aerator
<b>Number of Tap Holes:</b>	1
<b>Valve/Cartridge Type:</b>	28mm Eco-Start Cartridge
<b>Plumbing System Requirements:</b>	Suitable for all plumbing systems
<b>Minimum Dynamic Pressure (bar):</b>	0.5 bar
<b>Maximum Dynamic Pressure (bar):</b>	5 bar
<b>Maximum Hot Water Temperature °C:</b>	60°C
<b>Maximum Static Pressure (bar):</b>	10 bar
<b>Flow Type:</b>	Single
<b>Isolation Included:</b>	No

### Dimensions (measurements in mm)



### Flow Rates (l/min)

System Pressure (bar)	0.5	0.5	1	2	3	5
SAF ES BAS BLK (mixed)	2.6	2.6	3.7	4.6	4.7	5

# TECHNICAL DATA SHEET



# BRISTAN

D3