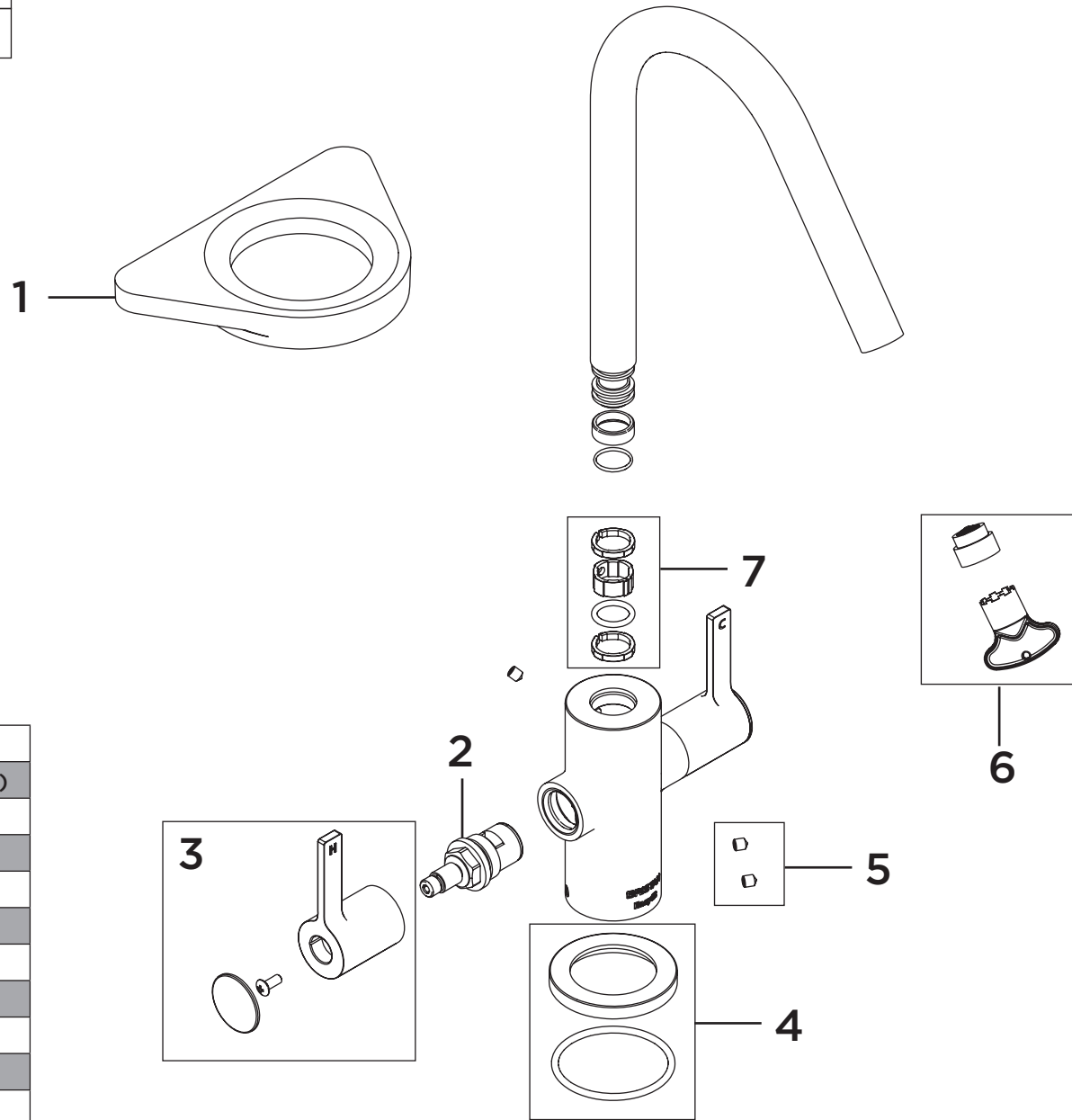


**Product Code:** CSH EFSNK RANGE  
**Revision:** D7

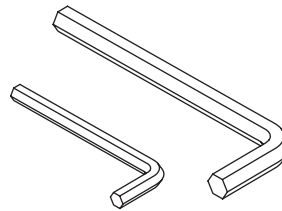
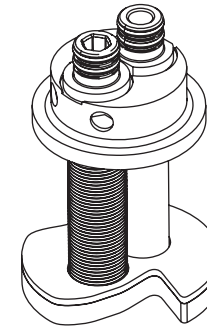
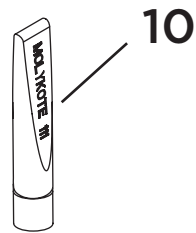
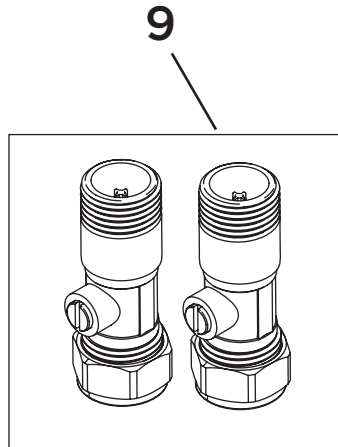


1	Reinforcing Plate
2	1/2" Ceramic Disc Valves (Pair)
3	Handle Assembly (Pair)
4	Plinth & O-Ring
5	M5 x 6mm Grub Screws
6	Anti-Splash with Key
7	Spout Seals Kit
8	EasyFit Pack
9	Isolation Valves (Pair)
10	Molykote Grease
11	1/2" BSP Flexible Tails (Pair)

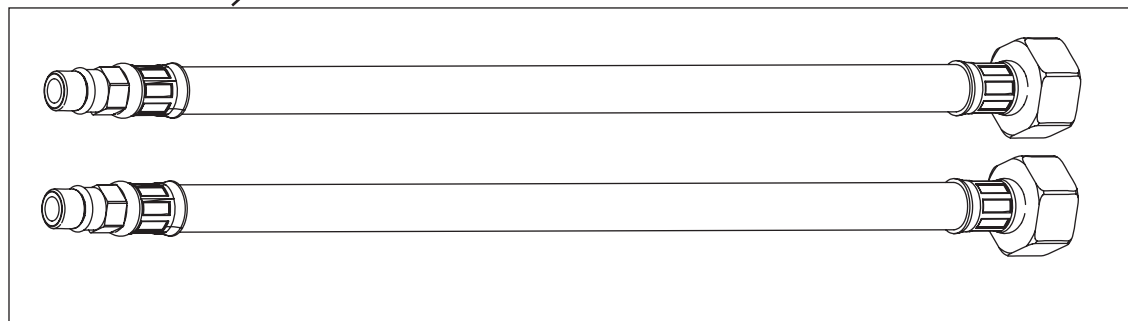
**Product Code:** CSH EFSNK RANGE

**Revision:** D7

8



11



1	Reinforcing Plate
2	1/2" Ceramic Disc Valves (Pair)
3	Handle Assembly (Pair)
4	Plinth & O-Ring
5	M5 x 6mm Grub Screws
6	Anti-Splash with Key
7	Spout Seals Kit
8	EasyFit Pack
9	Isolation Valves (Pair)
10	Molykote Grease
11	1/2" BSP Flexible Tails (Pair)