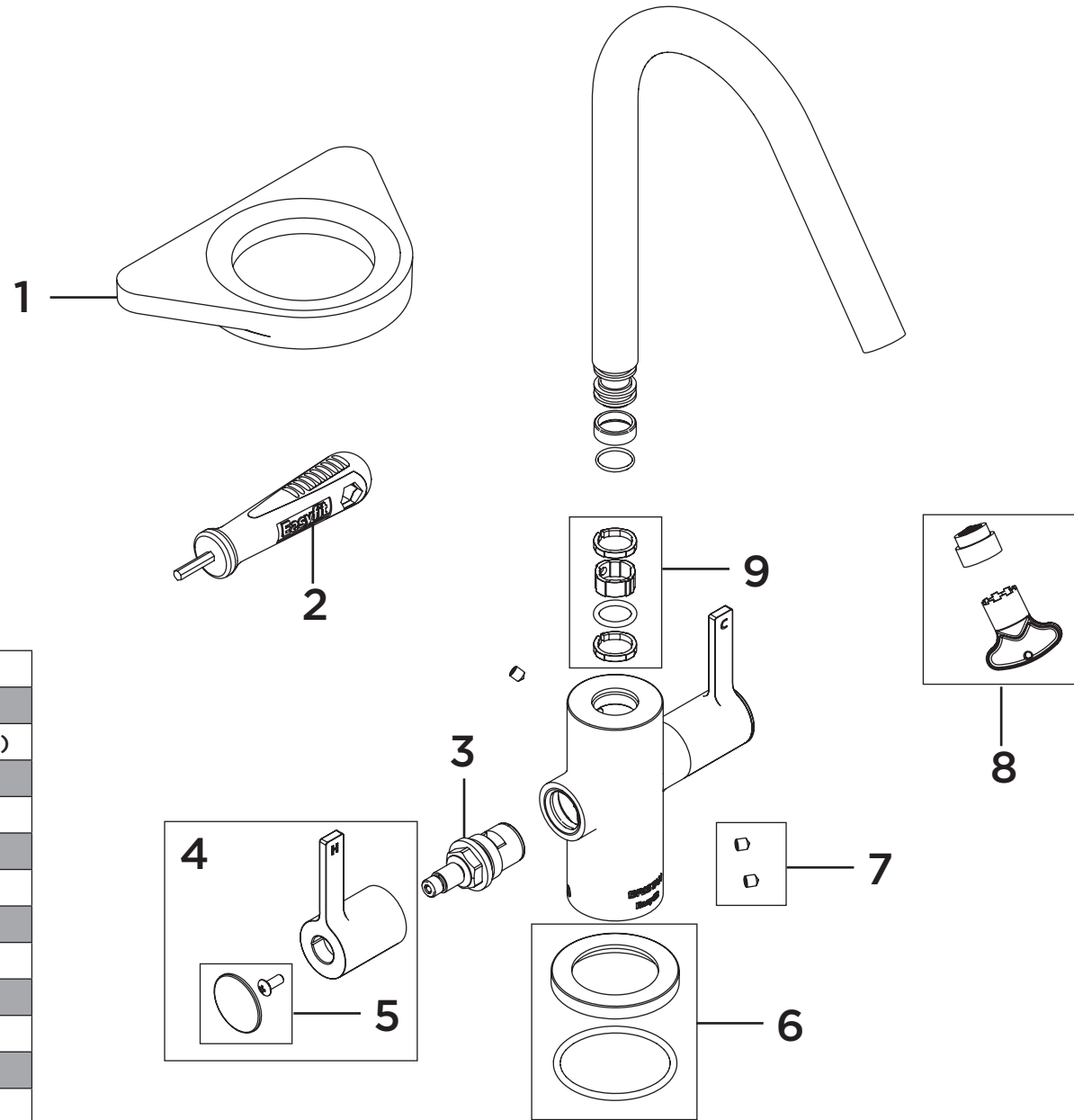


Product Code: CSH EFSNK C
Revision: D6.1

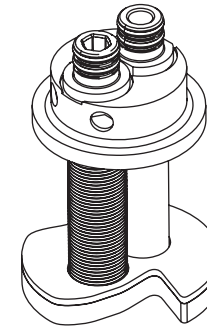
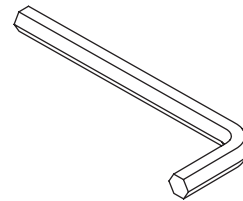
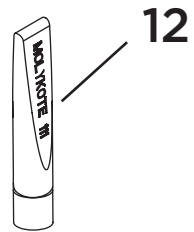
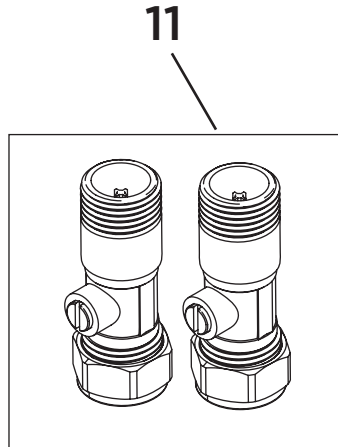


1	Reinforcing Plate
2	EasyFit Tool
3	1/2" Ceramic Disc Valves (Pair)
4	Handle Assembly (Pair)
5	Indice (Pair)
6	Plinth & O-Ring
7	M5 x 6mm Grub Screw
8	Anti-Splash with Key
9	Spout Seals Kit
10	EasyFit Pack
11	Isolation Valves (Pair)
12	Molykote Grease
13	1/2" BSP Flexible Tails (Pair)

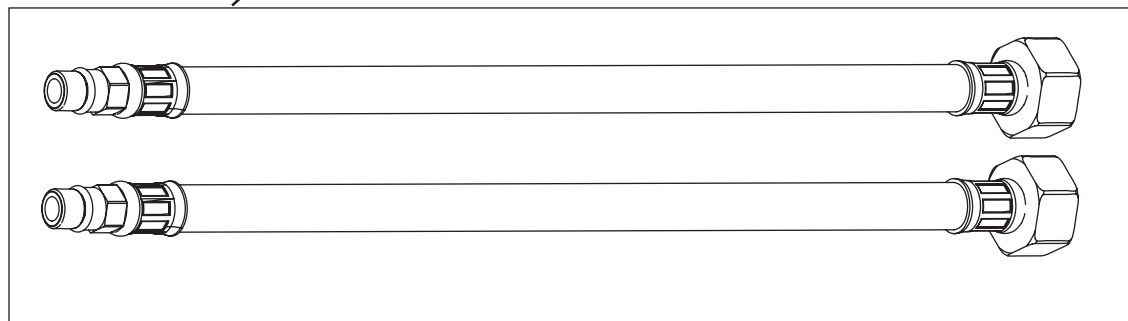
Product Code: CSH EFSNK C

Revision: D6.1

10



13



1	Reinforcing Plate
2	EasyFit Tool
3	1/2" Ceramic Disc Valves (Pair)
4	Handle Assembly (Pair)
5	Indice (Pair)
6	Plinth & O-Ring
7	M5 x 6mm Grub Screw
8	Anti-Splash with Key
9	Spout Seals Kit
10	EasyFit Pack
11	Isolation Valves (Pair)
12	Molykote Grease
13	1/2" BSP Flexible Tails (Pair)