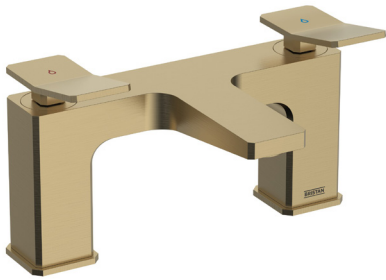


# TAN BF BB

# TANGRAM Tap Range

Tangram Bath Filler  
Brushed Brass



## Specification

<b>Product Type:</b>	Bathroom Taps
<b>Main Construction Material:</b>	Brushed Brass
<b>Mount Type:</b>	Deck
<b>Handle Type:</b>	Flick Up
<b>Connection Inlet:</b>	3/4" BSP
<b>Connection Outlet:</b>	M24 Recessed Honeycomb Aerator
<b>Number of Tap Holes:</b>	2
<b>Valve/Cartridge Type:</b>	3/4" Short Stem Ceramic Disc Valve
<b>Plumbing System Requirements:</b>	Suitable for all plumbing systems
<b>Minimum Dynamic Pressure (bar):</b>	0.2 bar
<b>Maximum Dynamic Pressure (bar):</b>	5 bar
<b>Maximum Hot Water Temperature °C:</b>	60°C
<b>Maximum Static Pressure (bar):</b>	10 bar
<b>Flow Type:</b>	Single
<b>Isolation Included:</b>	No

## Features:

- Long life 1/4 turn ceramic disc valves for added durability and smooth control.
- Robust metal fixing nut to secure the tap in place reducing the risk of loosening over time.
- On-trend brushed brass finish to make a statement in your bathroom.
- 10-year parts and 1 year labour guarantee for peace of mind.
- Also available in black and chrome.
- Co-ordinating Bathroom taps available.

## Product Certifications:

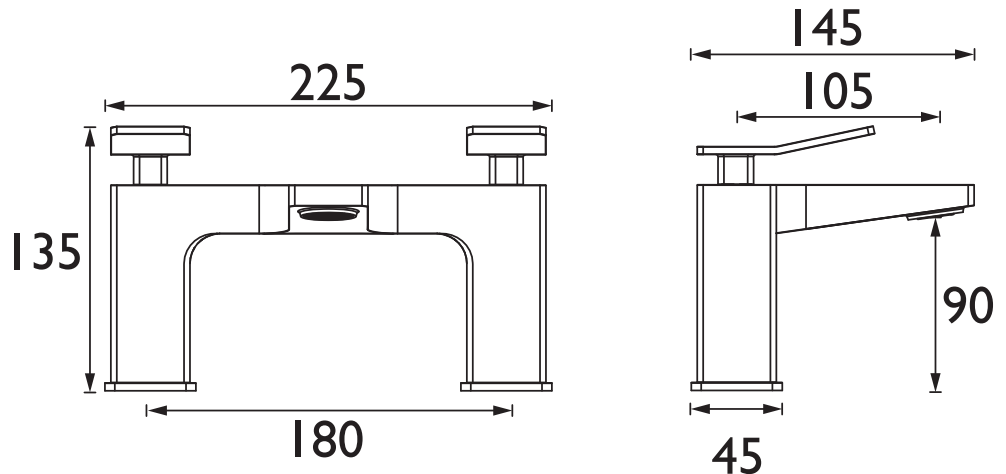


WRAS Certificate No: 2309906  
WRAS Expiry Date: 30/09/2028

For more products, visit our website:  
<http://www.bristan.com>



## Dimensions (measurements in mm)



## Flow Rates (l/min)

System Pressure (bar)	0.2	0.5	1	2	3	5
TAN BF BB (mixed)	17.9	30.2	43.7	63	77.2	99.7

# TECHNICAL DATA SHEET



# BRISTAN

D2