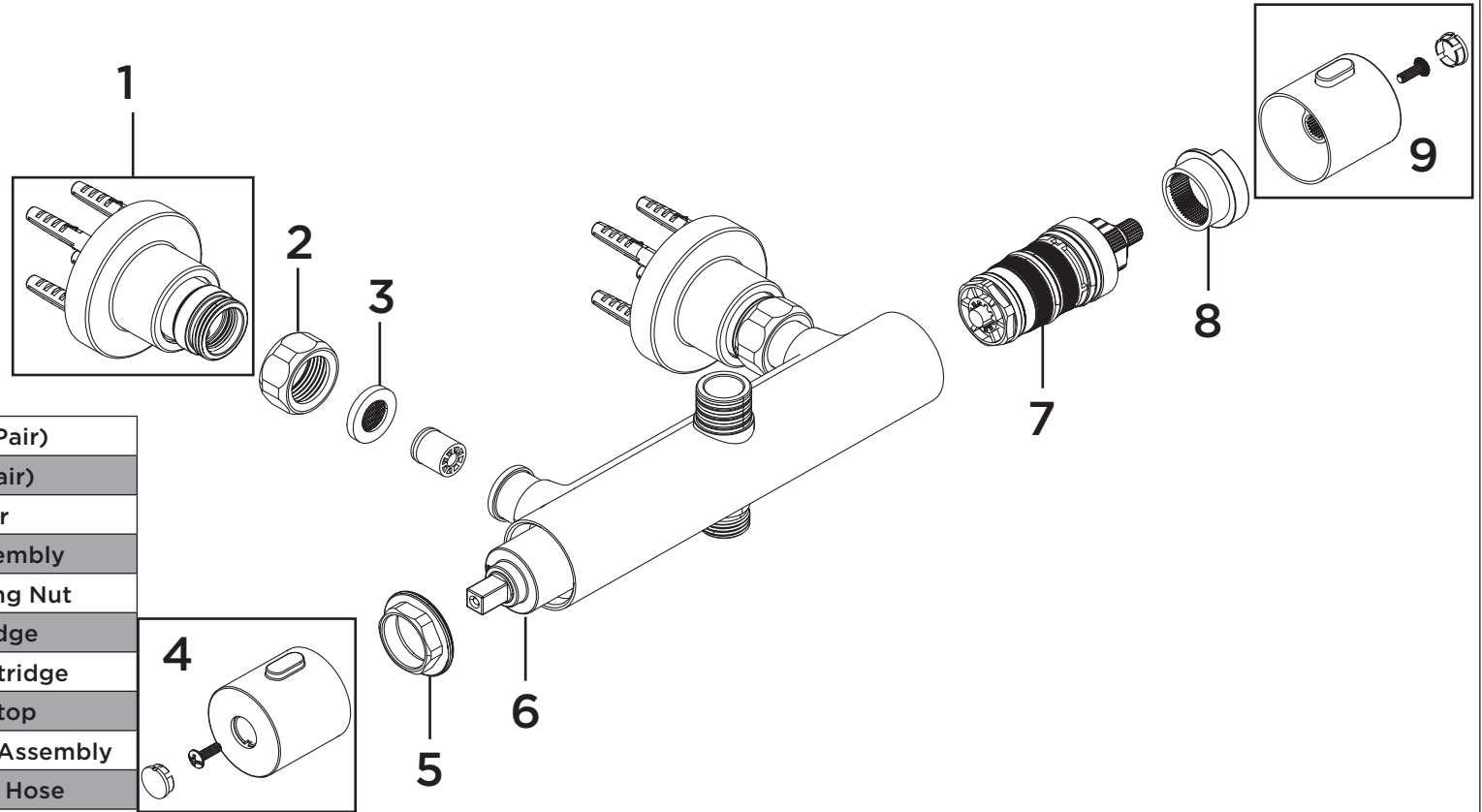


**Product Code:** BUZ SHXDIVCTFF BLK

**Revision:** D3



1	Wall Mount 12 (Pair)
2	Plated Nuts (Pair)
3	Filter Washer
4	Flow Handle Assembly
5	Cartridge Retaining Nut
6	Diverter Cartridge
7	Thermostatic Cartridge
8	Temperature Stop
9	Temperature Handle Assembly
10	1.5m Cone to Nut Hose
11	Wall Bracket
12	Riser Rail Connector
13	Wall Arm
14	Fixed Head
15	Riser Rail
16	Slider
17	Multi-Function Handset

**Product Code:** BUZ SHXDIVCTFF BLK

**Revision:** D3

1	Wall Mount 12 (Pair)
2	Plated Nuts (Pair)
3	Filter Washer
4	Flow Handle Assembly
5	Cartridge Retaining Nut
6	Diverter Cartridge
7	Thermostatic Cartridge
8	Temperature Stop
9	Temperature Handle Assembly
10	1.5m Cone to Nut Hose
11	Wall Bracket
12	Riser Rail Connector
13	Wall Arm
14	Fixed Head
15	Riser Rail
16	Slider
17	Multi-Function Handset

