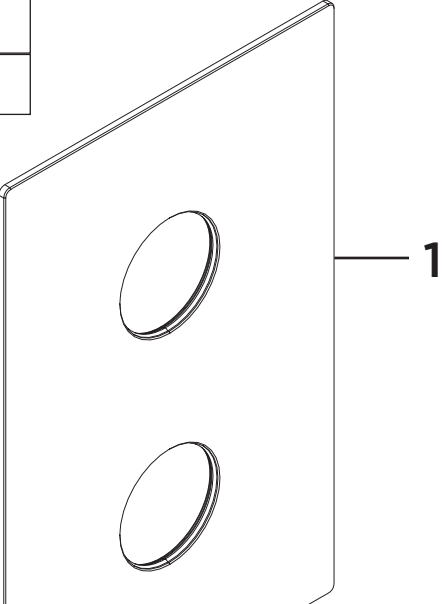
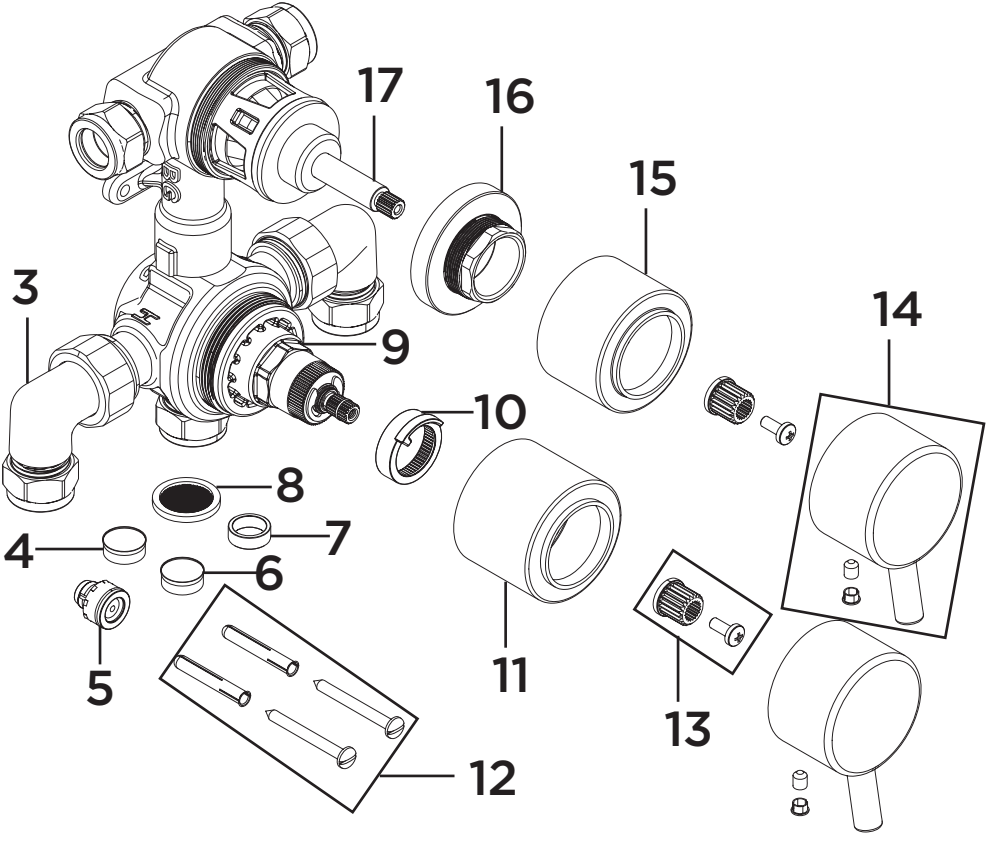
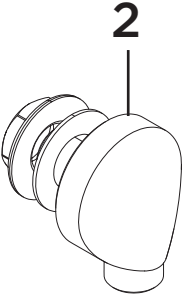


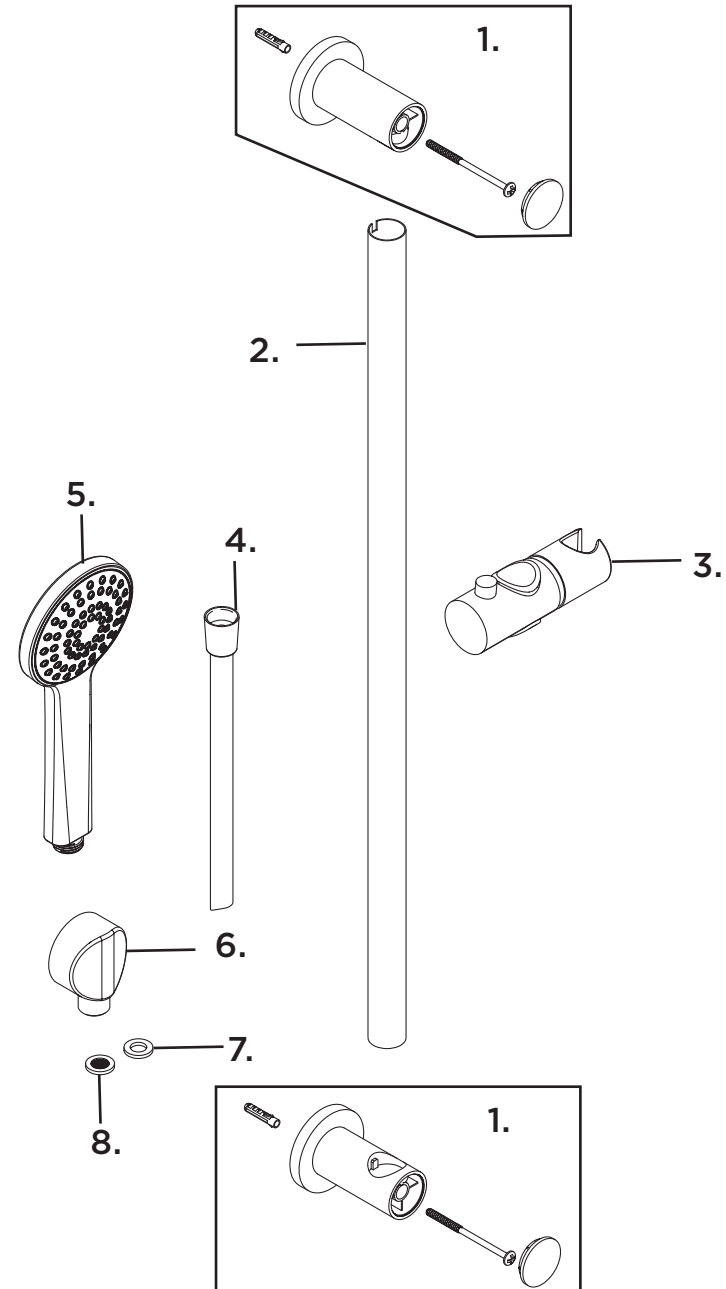
**Product Code:** PM2 SHCDIV RANGE

**Revision:** D4



1	Concealing Plate
2	Wall Outlet (Chrome Only)
3	Elbow Assembly
4	Yellow 5lpm Flow Limiter
5	1/2" Check Valve
6	Green 7lpm Flow Limiter
7	Inserts (Pair)
8	Filter Washer
9	Thermostatic Cartridge
10	Temperature Stop
11	Temperature Shroud
12	Screw Pack
13	Spline Adaptor
14	Handle Assembly
15	Diverter Shroud
16	Diverter Retaining Nut
17	Diverter Cartridge



**Product Code:** RND KIT01 BLK**Revision:** D1

1	Top Wall Bracket
2	650mm Riser Rail
3	Slider
4	1.5m Cone to Nut Hose
5	Multi-Function Handset
6	Wall Outlet
7	Sealing Washer
8	Filter Washer