

MI 1/2 C

MILA Tap Range Mila Basin Pillar Taps Chrome



Features:

- You really can count on Bristan taps as they are designed, engineered and tested to last with our precise glide and secure fix components plus a hard wearing luminance chrome finish, all under a 10 Year guarantee for peace of mind
- Long life and easy to use 1/4 turn ceramic disc valves
- Supplied with metal fixing nuts for added durability and to secure your tap in place
- Easy-to-use lever handles
- Suitable for high and low pressure water systems

Product Certifications:



WRAS Certificate No: 2204907
WRAS Expiry Date: 30/04/2027



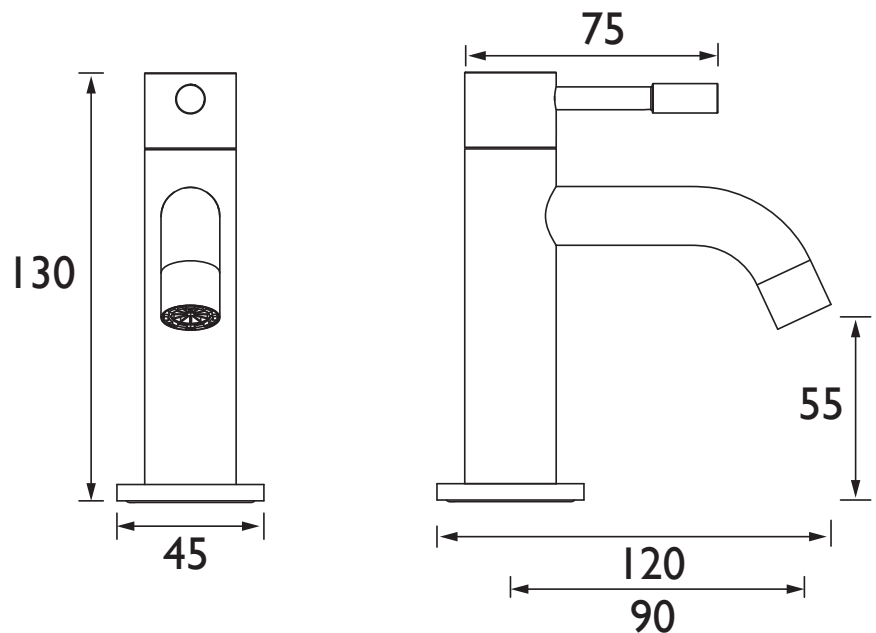
For more products, visit our website:
<http://www.bristan.com>



Specification

Product Type:	Bathroom Taps
Main Construction Material:	Brass
Mount Type:	Deck
Handle Type:	Round
Connection Inlet:	1/2" BSP
Connection Outlet:	M16 Flow Straightener
Number of Tap Holes:	2
Valve/Cartridge Type:	1/2" Ceramic Disc Valve - 1/4 turn
Plumbing System Requirements:	Suitable for all plumbing systems
Minimum Dynamic Pressure (bar):	0.2 bar
Maximum Dynamic Pressure (bar):	5 bar
Maximum Hot Water Temperature °C:	60°C
Maximum Static Pressure (bar):	10 bar
Isolation Included:	No

Dimensions (measurements in mm)



Flow Rates (l/min)

System Pressure (bar)	0.2	0.5	1	2	3	5
MI 1/2 C (Cold)	9.6	14.8	21	29.9	36.3	47
MI 1/2 C (Hot)	9.8	15.2	21.8	31	38.1	49

TECHNICAL DATA SHEET



BRISTAN

D2