

# NVA BAS C

## NIVA Tap Range Niva Basin Mixer with Clicker Waste Chrome



### Features:

- A hard-wearing, flawless chrome finish that lasts for years
- Long life ceramic cartridge for added durability and ease of use
- All in one box - Includes flexible tails and clicker waste so nothing to buy separately
- Supplied with metal fixing nut to secure your tap in place
- Suitable for high and low pressure water systems

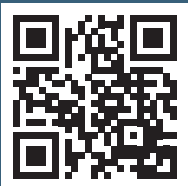
### Product Certifications:



WRAS Certificate No: 2204911  
WRAS Expiry Date: 30/04/2027



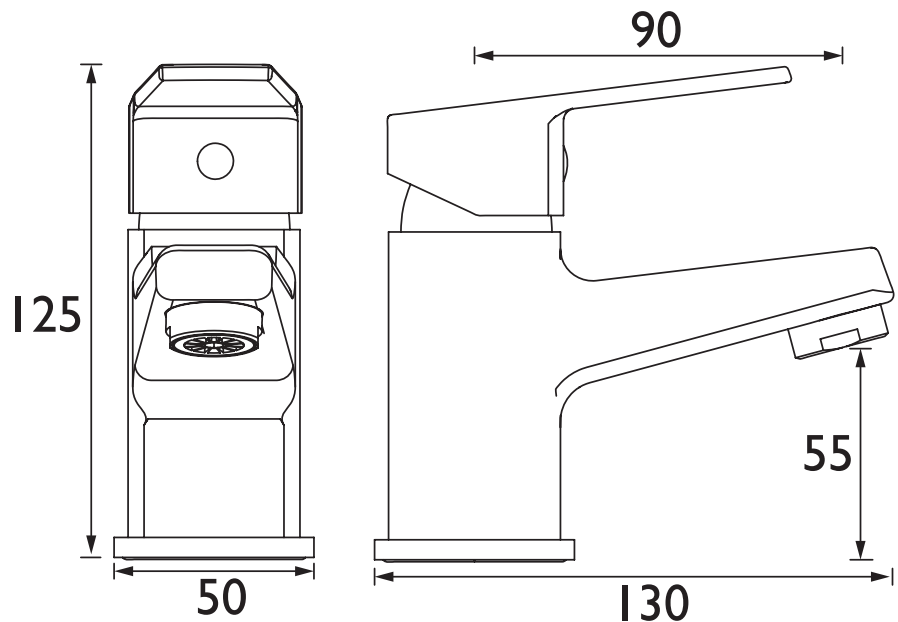
For more products, visit our website:  
<http://www.bristan.com>



### Specification

<b>Product Type:</b>	Bathroom Taps
<b>Main Construction Material:</b>	Brass
<b>Mount Type:</b>	Deck
<b>Handle Type:</b>	Lever
<b>Connection Inlet:</b>	1/2" BSP Flexible Tails
<b>Connection Outlet:</b>	M24 Flow Straightener
<b>Number of Tap Holes:</b>	2
<b>Valve/Cartridge Type:</b>	35mm Single Lever Cartridge
<b>Plumbing System Requirements:</b>	Suitable for all plumbing systems
<b>Minimum Dynamic Pressure (bar):</b>	0.2 bar
<b>Maximum Dynamic Pressure (bar):</b>	5.0 bar
<b>Maximum Hot Water Temperature °C:</b>	65°C
<b>Maximum Static Pressure (bar):</b>	10 bar
<b>Flow Type:</b>	Single
<b>Isolation Included:</b>	No

### Dimensions (measurements in mm)



### Flow Rates (l/min)

System Pressure (bar)	0.2	0.5	1	2	3	5
NVA BAS C (mixed)	6.4	10.7	15.4	22.1	27.3	35.4

## TECHNICAL DATA SHEET



# BRISTAN

D3