

PST EFSNK BLK

PISTACHIO Tap Range Pistachio Easyfit Monobloc Sink Mixer Black



Specification

| | |
|--|--|
| Product Type: | Kitchen Taps |
| Main Construction Material: | Brass; Stainless Steel; Zinc Alloy |
| Mount Type: | Deck |
| Handle Type: | Lever |
| Connection Inlet: | 1/2" BSP Flexible Tails with Integral Isolation Valves |
| Connection Outlet: | M18.5 Coin-Slot Aerator |
| Number of Tap Holes: | 1 |
| Valve/Cartridge Type: | 35mm Single Lever Cartridge |
| Plumbing System Requirements: | Suitable for all plumbing systems |
| Minimum Dynamic Pressure (bar): | 0.3 bar |
| Maximum Dynamic Pressure (bar): | 5 bar |
| Maximum Hot Water Temperature °C: | 60°C |
| Maximum Static Pressure (bar): | 10 bar |
| Flow Type: | Single |
| Isolation Included: | Yes |

Features:

- Unique patented top fix design, for simple installation from above the sink.
- Simply drop and twist the top fix base into the tap hole from above, and lock into place with the Allen key provided.
- Two supplied isolation valves and flexi tails mean you can connect to the water supply at this point and isolate the base.
- Push the tap on to the base and secure into position with the supplied Easyfit tool and screws.
- Everything you need in the box including an Allen key, isolation valves, Top Fix Easyfit base, Easyfit tool and flexi tails

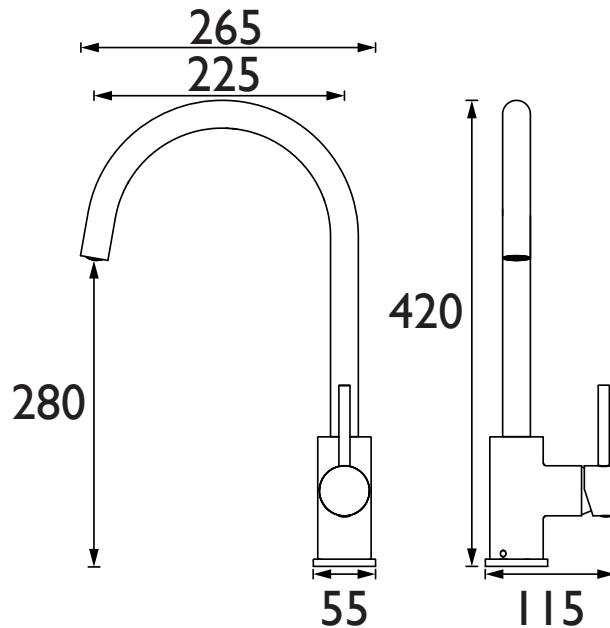
Product Certifications:



WRAS Certificate No: 250103004
WRAS Expiry Date: 31/01/2030



Dimensions (measurements in mm)



Flow Rates (l/min)

| System Pressure (bar) | 0.3 | 0.5 | 1 | 2 | 3 | 5 |
|-----------------------|-----|-----|------|------|------|------|
| PST EFSNK BLK (mixed) | 7.6 | 9.8 | 13.8 | 19.5 | 23.9 | 30.9 |

TECHNICAL DATA SHEET



BRISTAN

D4