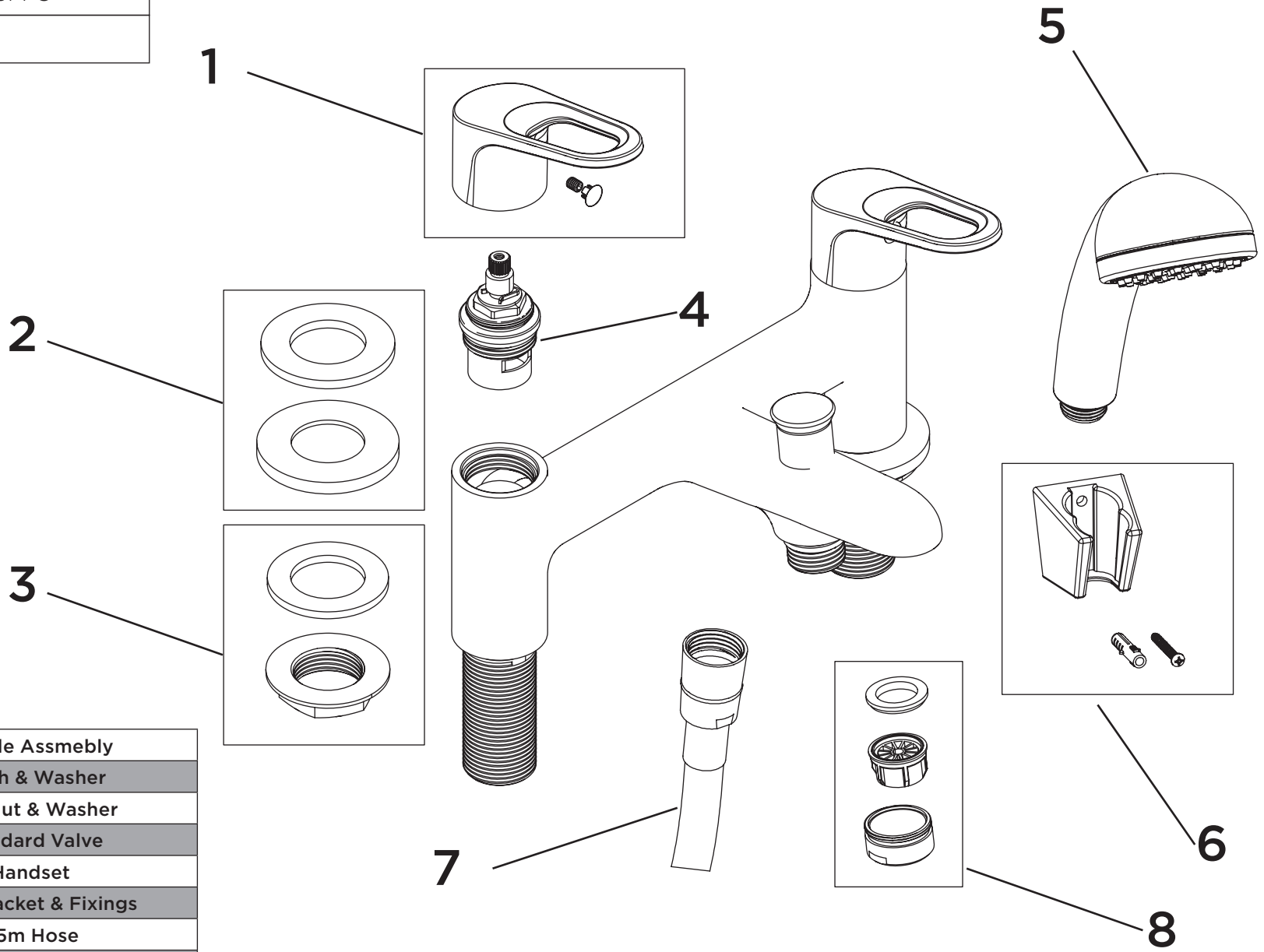


Product Code: IRS BSM C
Revision: D1



1	Handle Assmebly
2	Plinth & Washer
3	Backnut & Washer
4	Standard Valve
5	Handset
6	Wall Bracket & Fixings
7	1.5m Hose
8	M24 Flow Straightener