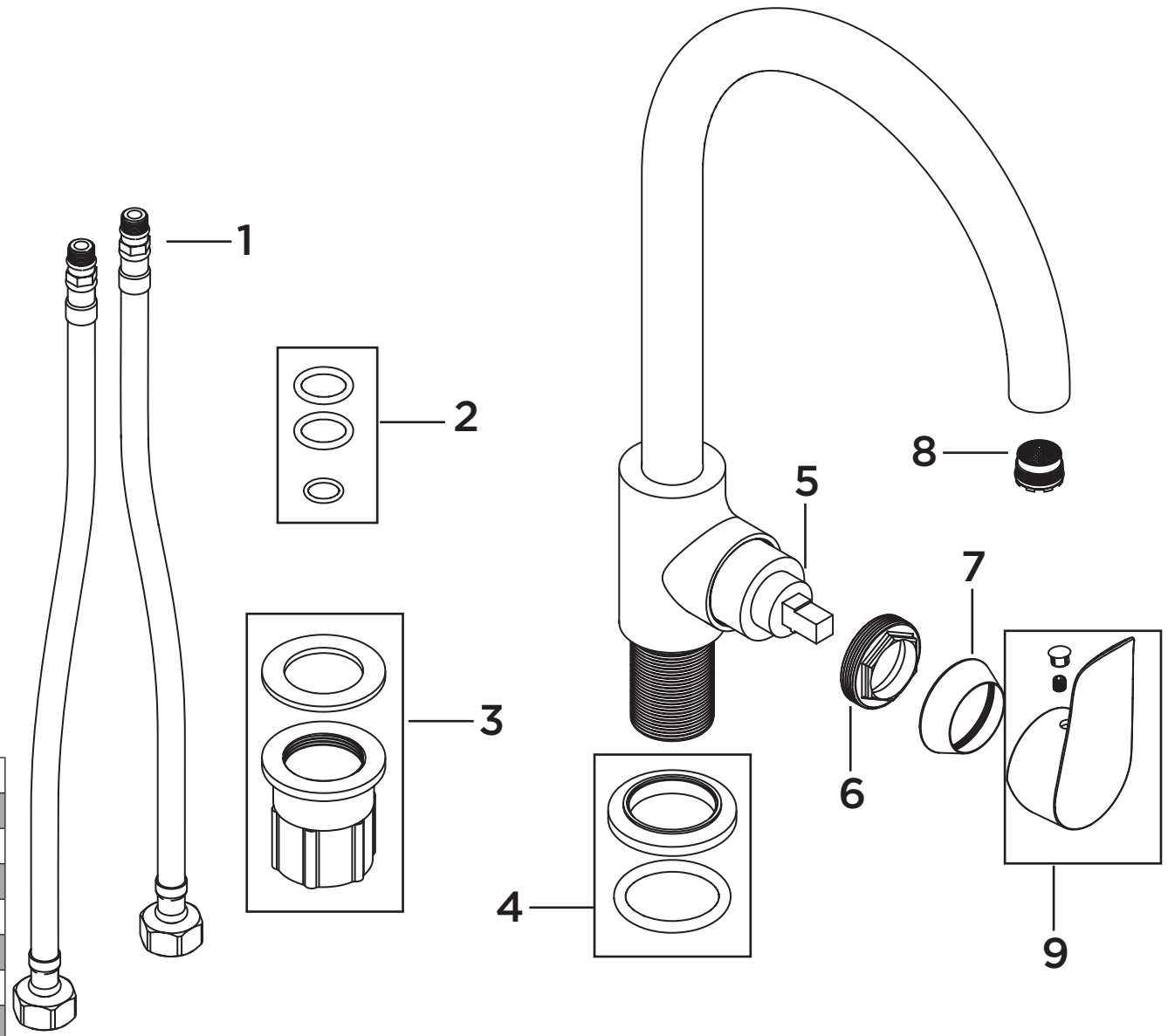


Product Code: SE SNK C**Revision:** D1

1	1/2" BSP Flexible Tails
2	Spout Seals Kit
3	Fixing Kit
4	Plinth & Washer
5	35mm Cartridge
6	M37 x 1.25 Cartridge Retaining Nut
7	Shroud
8	Flow Straightener
9	Handle Assembly