

PI SNK C

PINNACLE Tap Range

Pinnacle Monobloc
Sink Mixer Chrome



Specification

Product Type:	Kitchen Taps
Main Construction Material:	Brass
Mount Type:	Deck
Handle Type:	Lever
Connection Inlet:	1/2" BSP Flexible Tails
Connection Outlet:	M24 Flow Straightener
Number of Tap Holes:	
Valve/Cartridge Type:	1/2" Ceramic Disc Valve - 1/4 turn
Plumbing System Requirements:	Suitable for all plumbing systems
Minimum Dynamic Pressure (bar):	0.5 bar
Maximum Dynamic Pressure (bar):	5 bar
Maximum Hot Water Temperature °C:	60°C
Maximum Static Pressure (bar):	10 bar
Flow Type:	Single
Isolation Included:	N

Features:

- Everything you need in the box including flexible tails and fixing kit
- Swivel spout for easy use
- Long life 1/4 turn ceramic disc valves for added durability and smooth control.
- 5 year parts and 1 year labour guarantee for peace of mind.

Product Certifications:



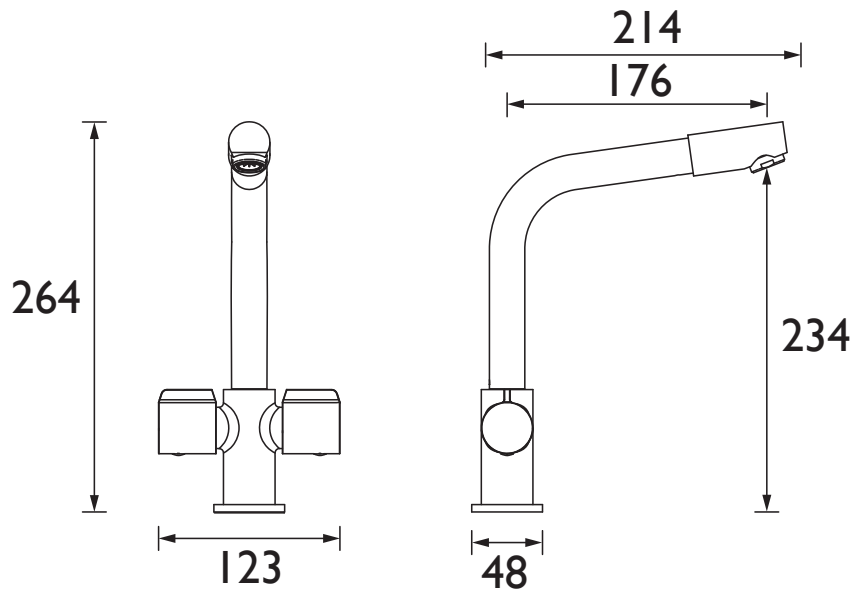
WRAS Certificate No: 241003006
WRAS Expiry Date: 31/10/2029



For more products, visit our website:
<http://www.bristan.com>



Dimensions (measurements in mm)



Flow Rates (l/min)

System Pressure (bar)	0.5	0.5	1	2	3	5
PI SNK C (mixed)	5.3	5.3	7.9	11	13.5	17.7

TECHNICAL DATA SHEET



BRISTAN

D4