

# GLL RAPSNK3 SF C

## GALLERY Tap Range Gallery Rapid Boiling 3in1 ScaleFilter Sink Mixer Chrome



### Features:

- Everything you need: Tap, tails, tank, pressure reducing valve and filter included
- Safety: Handle requires button to be pushed before turning to dispense boiling water
- Safe to touch spout: Boiling water is stored in the tank not in the tap reducing the risk of scalding
- Quality: Hard wearing, flawless finish that lasts
- Pure water: Supplied filter cartridge has been specifically designed to reduce water hardness using a 5 stage filter process to prolong the life of your tank

### Product Certifications:



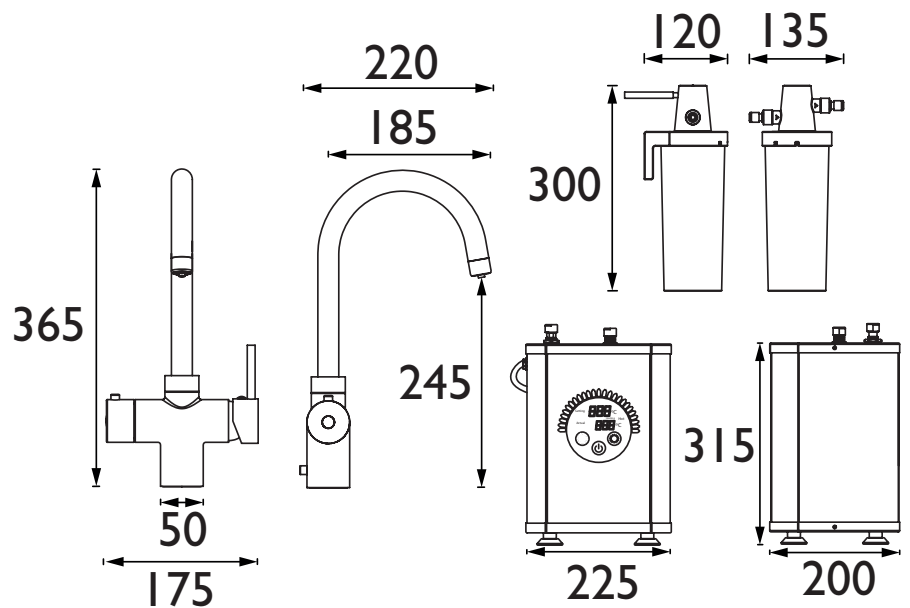
For more products, visit our website:  
<http://www.bristan.com>



### Specification

<b>Product Type:</b>	Boiling Water Tap
<b>Main Construction Material:</b>	Brass; ABS
<b>Mount Type:</b>	Deck
<b>Handle Type:</b>	Round
<b>Connection Inlet:</b>	1/2" BSP Flexible Tails
<b>Number of Tap Holes:</b>	1
<b>Tank Capacity:</b>	2.4 litres
<b>Temperature Settings:</b>	7 Settings; Min: 75°C Max: 98°C
<b>Plumbing System Requirements:</b>	Suitable for high pressure systems
<b>Minimum Dynamic Pressure (bar):</b>	1.5 bar
<b>Maximum Dynamic Pressure (bar):</b>	3 bar
<b>Maximum Hot Water Temperature °C:</b>	65°C
<b>Maximum Static Pressure: (bar)</b>	3
<b>Flow Type:</b>	Dual
<b>Isolation Included:</b>	No
<b>Power Rating:</b>	1.4-1.5kW
<b>Electrical Supply Requirements:</b>	230-240V AC, 50Hz, IPX4 Protection

### Dimensions (measurements in mm)



### Flow Rates (l/min)

System Pressure (bar)	1.5	2	3
GLL RAPSNK3 SF C (Mixed)	6.8	7.9	9.3
GLL RAPSNK3 SF C (Boiling Water)	2	2	2

## TECHNICAL DATA SHEET



# BRISTAN

D2