

ST NHPUMP 20TN

Accessories 2.0bar Twin End Negative Head Shower Pump



Features:

- Suitable for domestic positive and negative head applications
- Doesn't require a gravity flow of water to start
- Twin impeller for boosting two water supplies
- Low noise-fitted with anti vibration feet
- Min inlet water temperature -4°C
- Suitable for mixer showers only

Product Certifications:



WRAS Cert Number: 2105325
WRAS Expiry Date: 31/07/2025

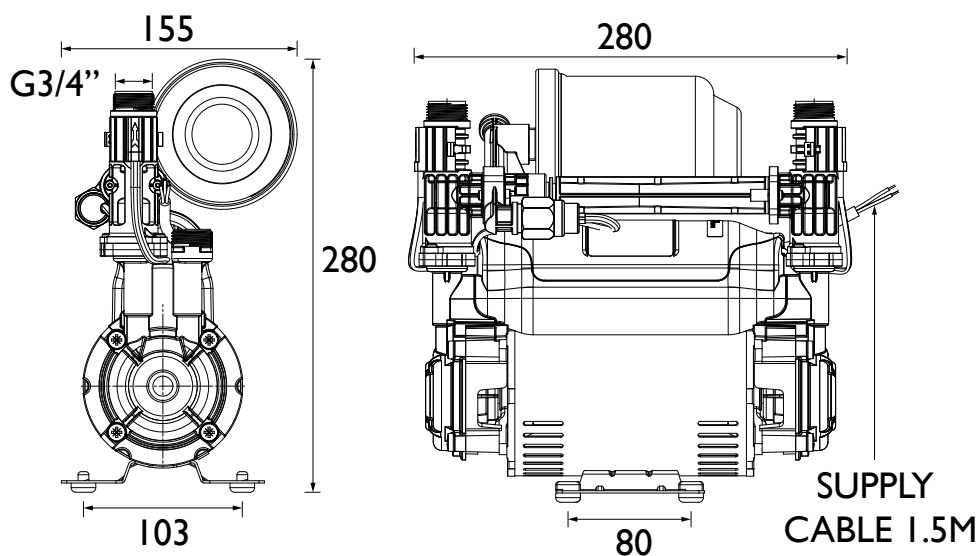
For more products, visit our website:
<http://www.bristan.com>



Specification

Pump Type:	Peripheral
Main Construction Material:	ABS
Connection Inlet:	G 3/4"
Connection Outlet:	G 3/4"
Power Supply:	230 Volts AC
Power Consumption:	430 Watts
Motor Rating:	Continuous (S1)@ 9l/min and above
Supply:	Suitable for hot and cold open vented water systems
Inlet Temperature °C:	65
Performance:	Maximum Flow Rate 40l/min
Max Head (closed valve):	2.0 bar
Minimum Dynamic Pressure (bar):	0.1
Maximum Dynamic Pressure (bar):	4
What's in the Box?:	1x Negative Head Pump, 4x Flexible Hoses with integral isolating valves, 1.5m Power Supply Cable.

Dimensions (measurements in mm)



TECHNICAL DATA SHEET



BRISTAN

D7