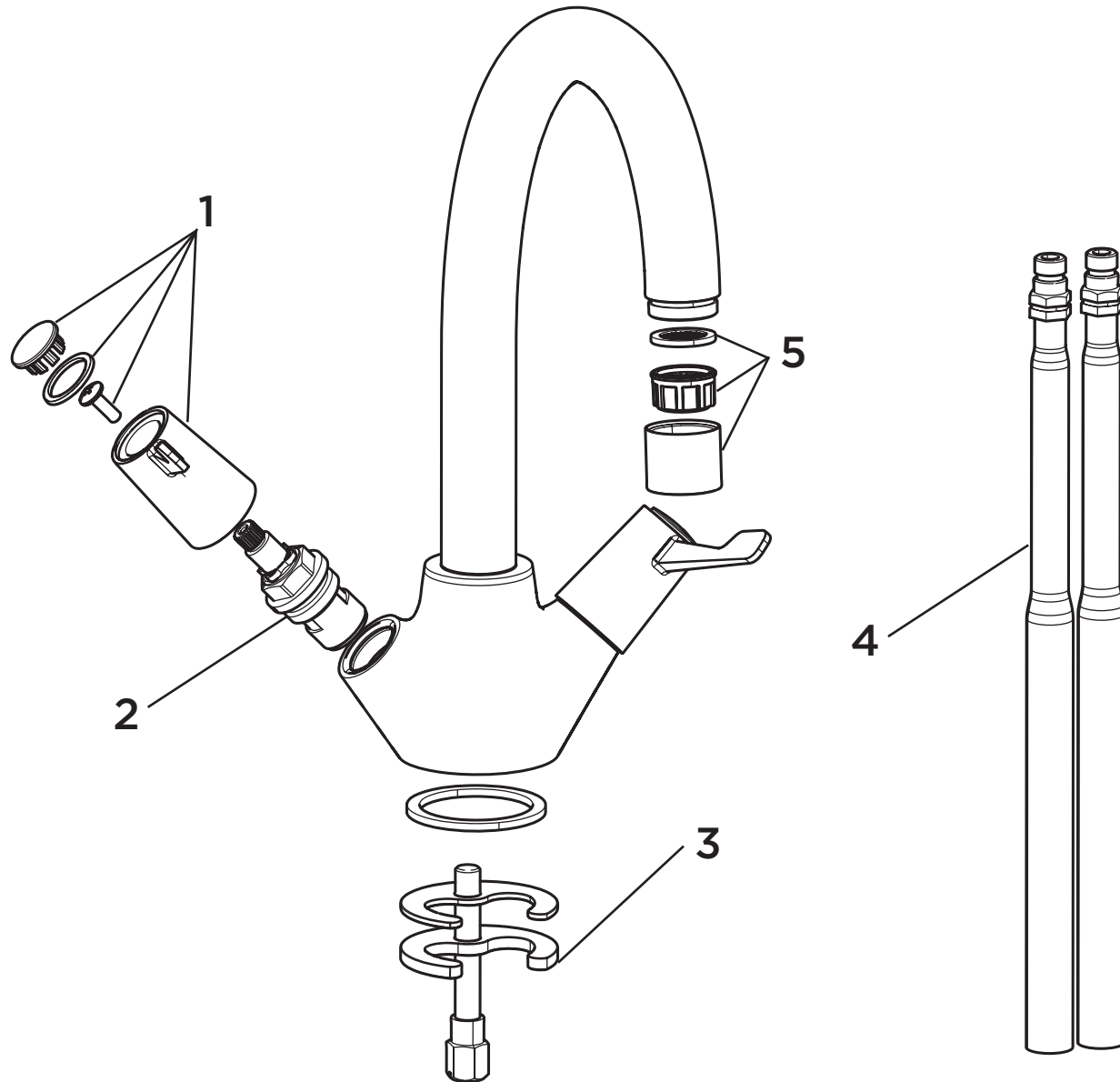


Product Code: VAL2 SNK C CD**Revision:** D1

1	Handle Assembly (Pair)
2	1/2" Ceramic Disc Valves (Pair)
3	Fixing Kit
4	Copper Tails
5	M22 Flow Straightener