

VAL2 DSM C CD

VALUE Tap Range Lever Deck Sink Mixer Chrome With Ceramic Disc Valves



Features:

- Long life and easy to use 1/4 turn ceramic disc valves
- Supplied with 3" (76mm) metal lever handles
- Metal back nuts for added durability

Product Certifications:



WRAS Cert. Number: 2105904
WRAS Expiry Date: 31/05/2026



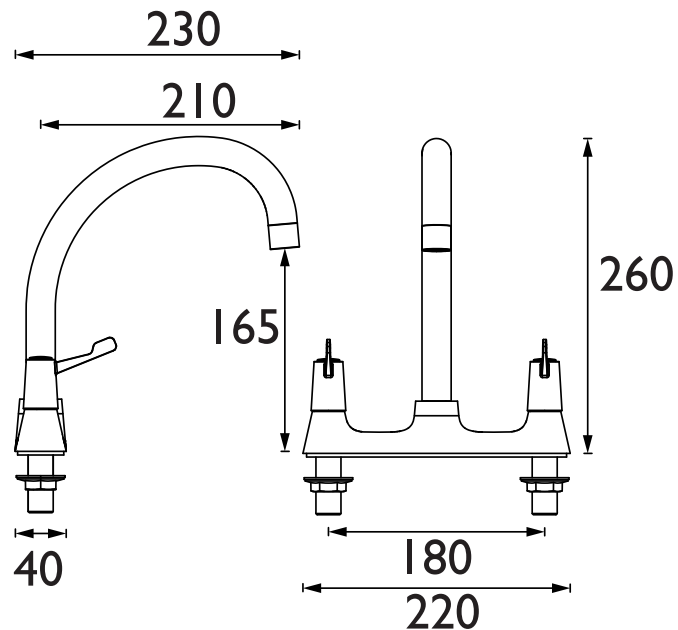
For more products, visit our website:
<http://www.bristan.com>



Specification

| | |
|------------------------------------------|------------------------------------|
| Product Type: | Kitchen Taps |
| Main Construction Material: | Brass |
| Mount Type: | Deck |
| Handle Type: | Lever |
| Connection Inlet: | 1/2" BSP |
| Connection Outlet: | Flow Straightener |
| Number of Tap Holes: | 2 |
| Valve/Cartridge Type: | 1/2" Ceramic Disc Valve - 1/4 turn |
| Plumbing System Requirements: | Suitable for all plumbing systems |
| Minimum Dynamic Pressure: | 0.2 bar |
| Maximum Dynamic Pressure: | 0.5 bar |
| Maximum Hot Water Temperature: °C | 65 |
| Maximum Static Pressure: (bar) | 10 |
| Flow Type: | Single |
| Isolation Included: | No |
| Check Valve Supplied: | No |

Dimensions (measurements in mm)



Flow Rates (l/min)

| System Pressure (bar) | 0.2 | 0.5 | 1 | 2 | 3 | 5 |
|-----------------------|------|------|------|------|------|------|
| Hot | 7.7 | 13.4 | 19.3 | 27.4 | 33.6 | 43.3 |
| Cold | 7.8 | 13.6 | 19.6 | 28.0 | 34.4 | 44.4 |
| Mixed | 13.5 | 22.9 | 32.9 | 47.1 | 57.3 | 73.2 |

TECHNICAL DATA SHEET



BRISTAN