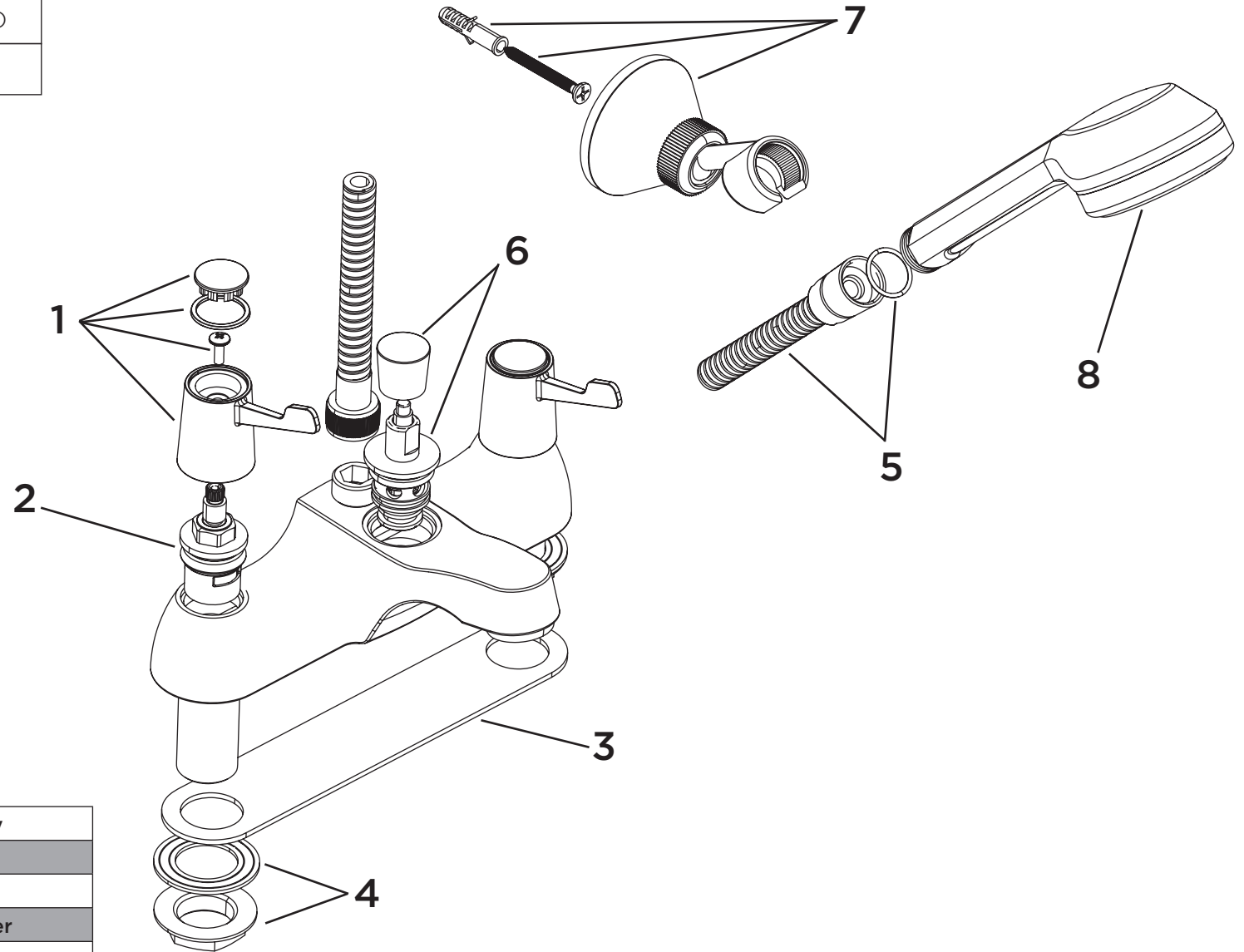


**Product Code:** VAL2 BSM C CD**Revision:** D1

1	Handle Assembly
2	CD Valves
3	Gasket
4	Back Nut & Washer
5	Hose
6	Diverter Mechanism
7	Wall Bracket
8	Handset