

VAL2 PSNK C CD

VALUE Tap Range Lever Pillar Bridge Sink Mixer Chrome With Ceramic Disc Valves



Features:

- Long life and easy to use 1/4 turn ceramic disc valves
- Metal back nuts for added durability
- Supplied with 3" (76mm) metal lever handles

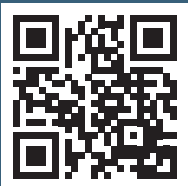
Product Certifications:



WRAS Cert. Number: 2103900
WRAS Expiry Date: 31/03/2026



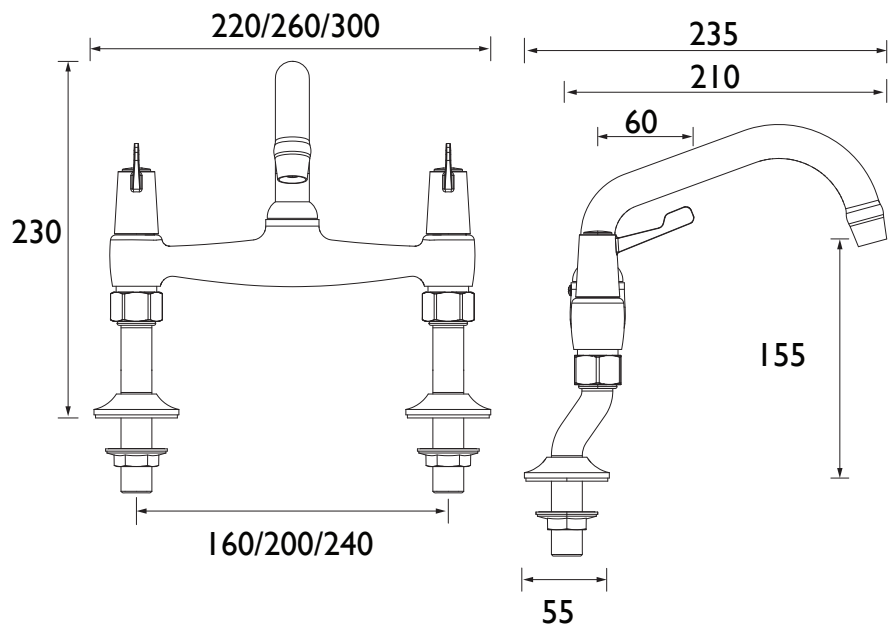
For more products, visit our website:
<http://www.bristan.com>



Specification

Product Type:	Kitchen Taps
Main Construction Material:	Brass; ABS; Zinc Alloy
Mount Type:	Deck Mounted
Handle Type:	Lever Handles
Connection Inlet:	1/2" BSP
Connection Outlet:	Open
Number of Tap Holes:	2
Valve/Cartridge Type:	1/2" Ceramic Disc Valve - 1/4 turn
Plumbing System Requirements:	Suitable for all plumbing systems
Minimum Dynamic Pressure (bar):	0.2 bar
Maximum Dynamic Pressure (bar):	5 bar
Maximum Hot Water Temperature °C:	60°C
Maximum Static Pressure (bar):	10 bar
Flow Type:	Single Flow
Isolation Included:	N

Dimensions (measurements in mm)



Flow Rates (l/min)

System Pressure (bar)	0.2	0.5	1	2	3	5
VAL2 PSNK C CD (mixed)	14.3	24.7	35.7	51	62.7	81.2

TECHNICAL
DATA
SHEET



BRISTAN

D3