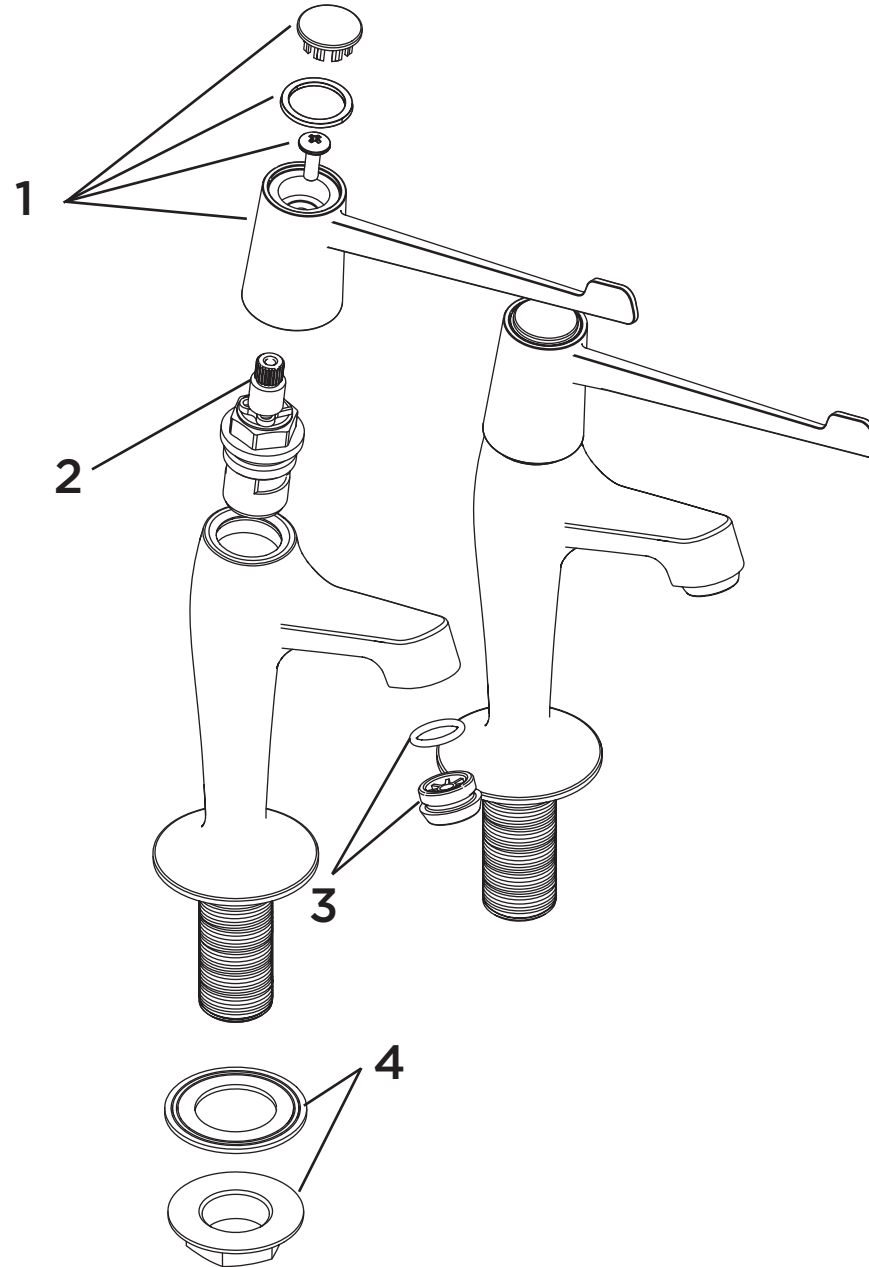


Product Code: VAL2 HNK C 6 CD**Revision:** D1

1	Handle Assembly (Pair)
2	1/2" Ceramic Disc Valves (Pair)
3	M16 Flow Straightener
4	Backnut & Washer (Pair)