

VAL2 BIB C 6 CD

VALUE Tap Range
Lever Bib Taps Chrome With 6
Levers & Ceramic Disc Valves



Features:

- Long life and easy to use 1/4 turn ceramic disc valves
- Supplied with 6" (152mm) metal lever handles

Product Certifications:



WRAS Certificate No: 250403305
WRAS Expiry Date: 30/04/2030



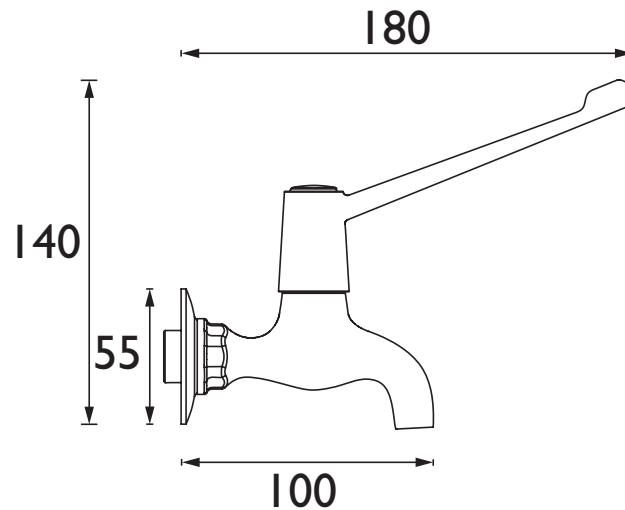
For more products, visit our website:
<http://www.bristan.com>



Specification

Product Type:	Taps
Main Construction Material:	Brass
Mount Type:	Deck
Handle Type:	Lever
Connection Inlet:	1/2" BSP
Connection Outlet:	Flow Straightener
Number of Tap Holes:	2
Valve/Cartridge Type:	1/2" Ceramic Disc Valve - 1/4 turn
Plumbing System Requirements:	Suitable for all plumbing systems
Minimum Dynamic Pressure:	0.2 bar
Maximum Dynamic Pressure:	5.0 bar
Maximum Hot Water Temperature: °C	65
Maximum Static Pressure: (bar)	10
Flow Type:	Single
Isolation Included:	No
Check Valve Supplied:	No

Dimensions (measurements in mm)



Flow Rates (l/min)

System Pressure (bar)	0.2	0.5	1	2	3	5
Hot	6.4	10.4	14.7	20.6	24.8	32.0
Cold	6.7	10.9	15.4	21.1	25.9	33.2

TECHNICAL
DATA
SHEET



BRISTAN

D3