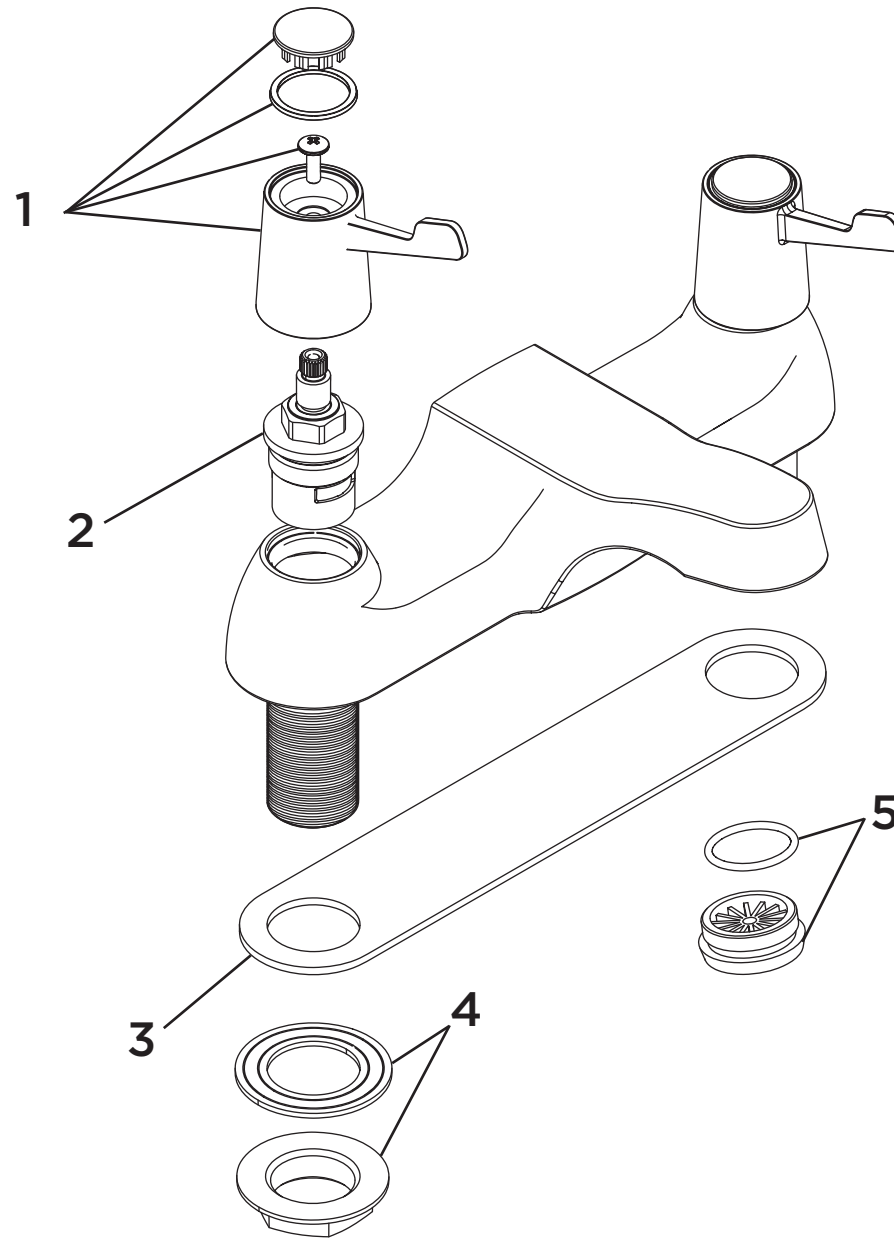


Product Code: VAL2 BF C CD**Revision:** D1

1	Handle Assembly (Pair)
2	1/2" Ceramic Disc Valves (Pair)
3	Gasket
4	Backnut & Washer (Pair)
5	M28 Flow Straightener