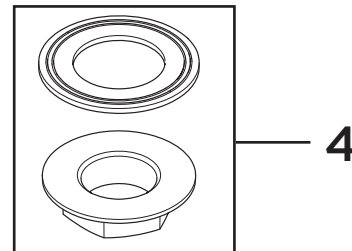
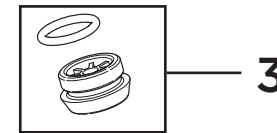
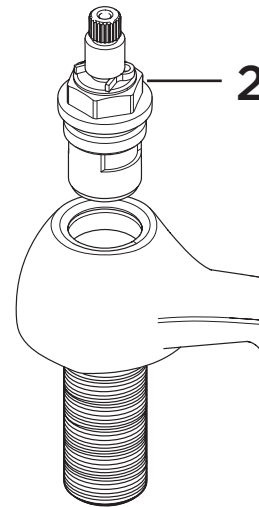
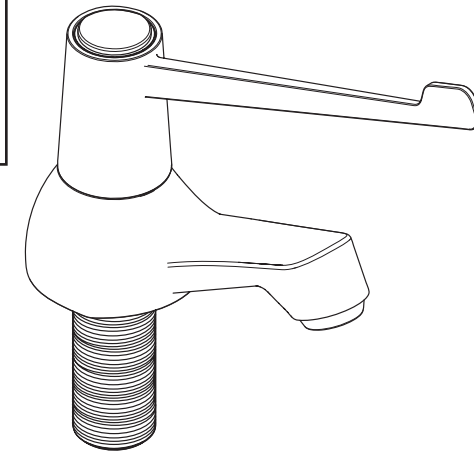
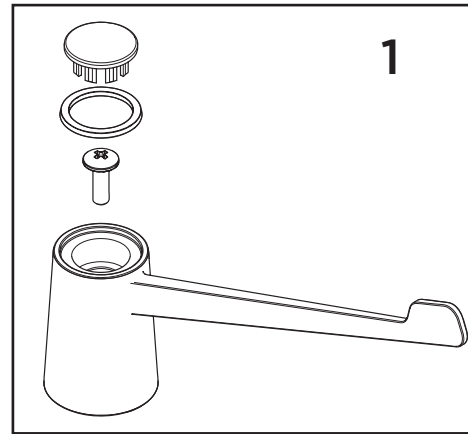


Product Code: VAL2 1/2 C 6 CD**Revision:** D1

1	Handle Assembly (Pair)
2	1/2" Ceramic Disc Valves (Pair)
3	M16 Flow Straightener
4	1/2" Metal Backnut & Washer (Pair)