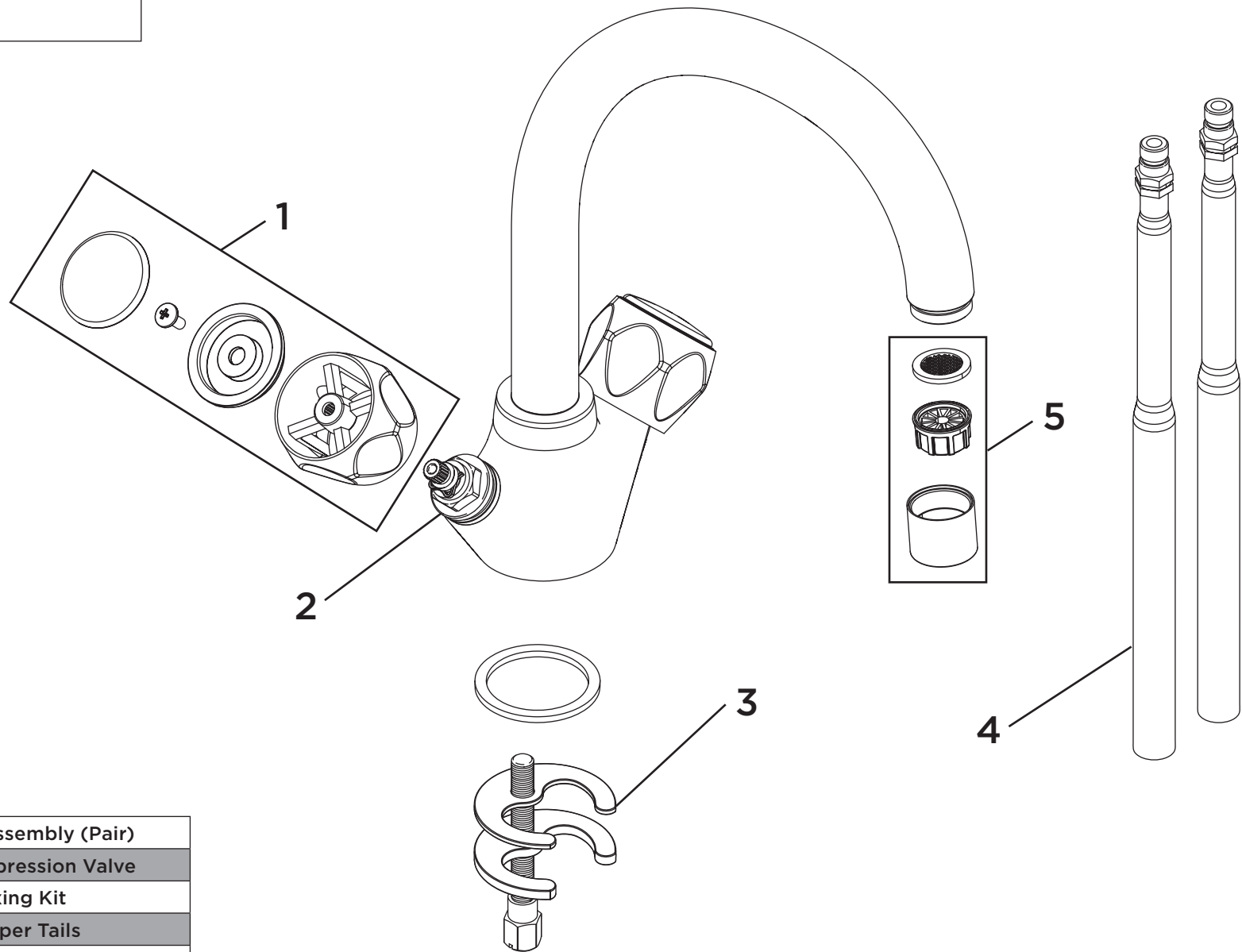


**Product Code:** VAC2 SNK C MT**Revision:** D2

1	Handle Assembly (Pair)
2	1/2" Compression Valve
3	Fixing Kit
4	Copper Tails
5	M22 Flow Straightener