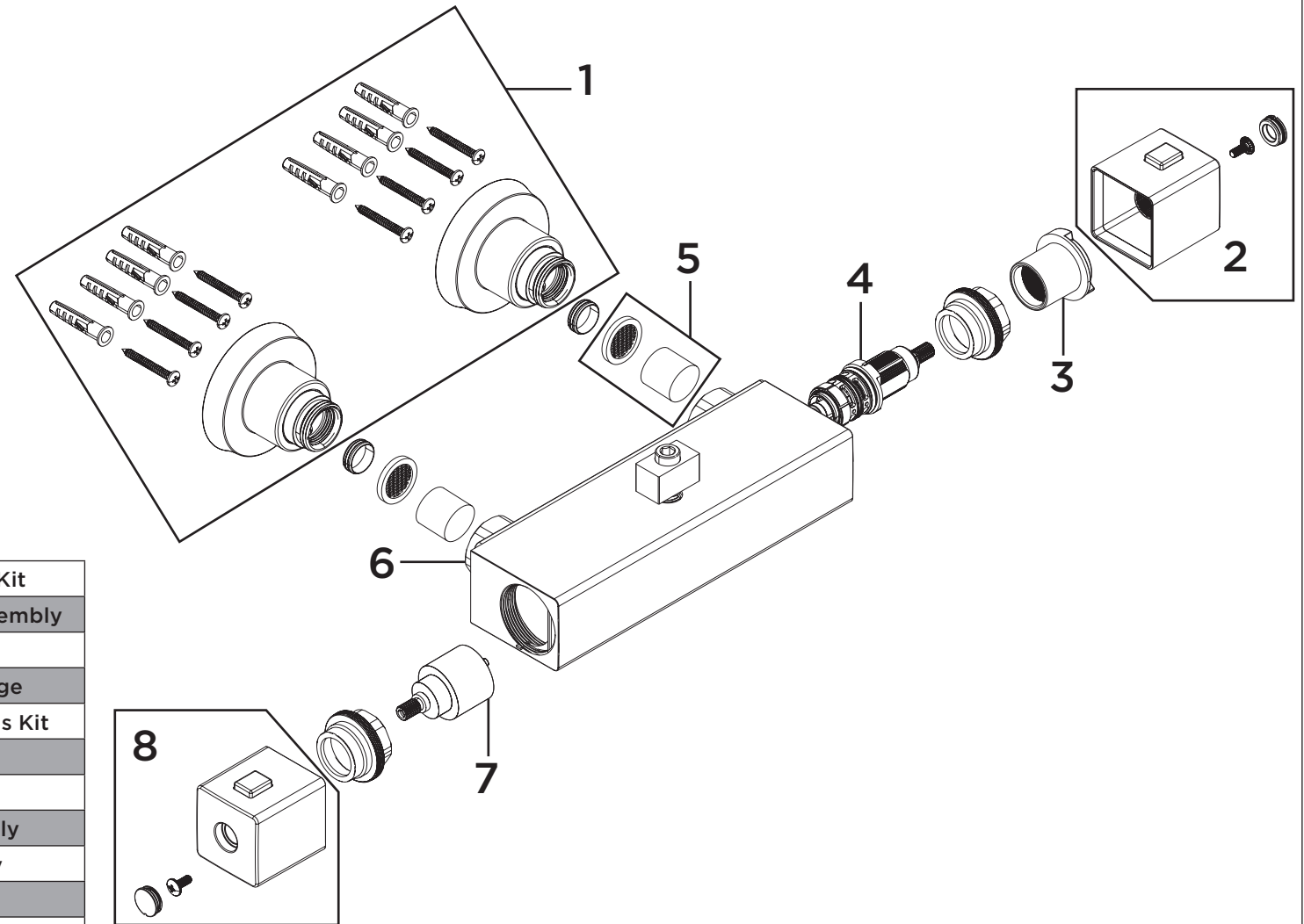


Product Code: CRZ2 SHXDIVCTFF C

Revision: D1



1	Wall Mount 12 Fixing Kit
2	Temperature Handle Assembly
3	Temperature Stop
4	Thermostatic Cartridge
5	Check Valve, Filter, Seals Kit
6	Backnuts (Pair)
7	Diverter Cartridge
8	Flow Handle Assembly
9	Riser Rail Assembly
10	Fixed Head
11	Handset
12	Hose
13	Slider

Product Code: CRZ2 SHXDIVCTFF C

Revision: D1

1	Wall Mount 12 Fixing Kit
2	Temperature Handle Assembly
3	Temperature Stop
4	Thermostatic Cartridge
5	Check Valve, Filter, Seals Kit
6	Backnuts (Pair)
7	Diverter Cartridge
8	Flow Handle Assembly
9	Riser Rail Assembly
10	Fixed Head
11	Handset
12	Hose
13	Slider

