

OP TS3650TO EL C

OPAC Shower Range TS3650 Opac Lever Rigid Riser Shower Valve



Specification

Finish/Colour:	Chrome Plated
Main Construction Material:	Brass
No of Controls:	1
Shower Type:	Exposed
Shower Head Type:	N/A
Valve/Cartridge Type:	Sequential Cartridge
Maximum Hot Water Supply Temperature °C:	65
Maximum Static Pressure: (bar)	10
Plumbing System Suitability:	Suitable for all plumbing systems
Minimum Dynamic Pressure:	Min: 0.2 bar, Max: 5 bar
Connection Inlet:	15mm Compression
Connection Outlet:	G 1/2"
Isolation Valve Included:	Yes
Check Valve Included:	Yes

Features:

- Single sequential control for both temperature and flow
- High performance even at low pressure
- Automatic shut off in the event of hot or cold water supply failure
- Adjustable isolation inlet elbows allow centres between 140mm-160mm
- Integral thermal flushing for infection control

Product Certifications:



WRAS Certificate No: 2005903
WRAS Expiry Date: 31/05/2025

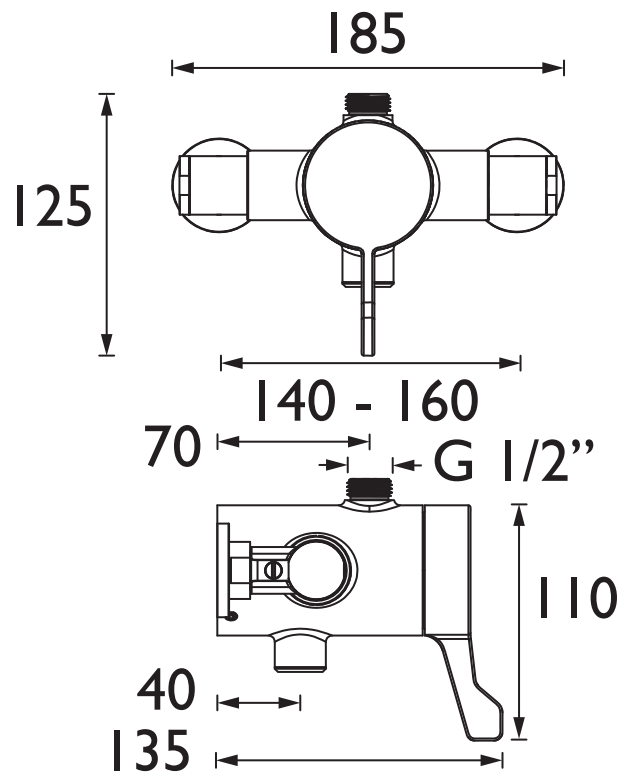


TMV3 Cert No: NSF2277/0720
TMV3 Expiry Date: 16/07/2025



TMV2 Cert No: NSF2276/0920
TMV2 Expiry Date: 11/09/2025

Dimensions (measurements in mm)



Flow Rates (l/min)

System Pressure (bar)	0.2	0.5	1	2	3	5
Open Outlet (mixed)	3.9	6.3	6	7	7.5	8

TECHNICAL DATA SHEET



BRISTAN

D2