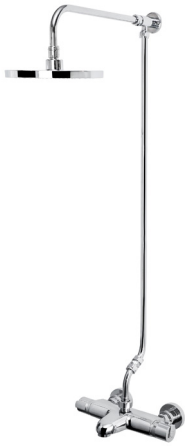


# ASSURE Shower Range

Assure TMV2 Wall Mounted

## AS2 WMT THBSM KIT C Thermostatic Bath Shower Mixer With

Fixed Head KIT Chrome



### Specification

Finish/Colour:	Chrome Plated
Main Construction Material:	Brass
No of Controls:	2
Shower Type:	Bath Shower Mixer
Shower Head Type:	200mm Fixed Head
Valve/Cartridge Type:	Thermostatic
Maximum Hot Water Supply Temperature °C:	65
Maximum Static Pressure: (bar)	10
Plumbing System Suitability:	Suitable for all plumbing systems
Minimum Dynamic Pressure:	0.5 Bar
Maximum Dynamic Pressure:	5.0 Bar
Connection Inlet:	15mm Compression
Connection Outlet:	Open
Flow Type:	Dual Flow
Isolation Valve Included:	Yes
Check Valve Included:	Yes

### Features:

- Supplied with Fast Fix Isolating wallmount 12 kit.
- TMV2 thermostatic temperature control to prevent surges of hot or cold water
- Integral diverter to fixed head
- 15mm inlet connections

### Product Certifications:



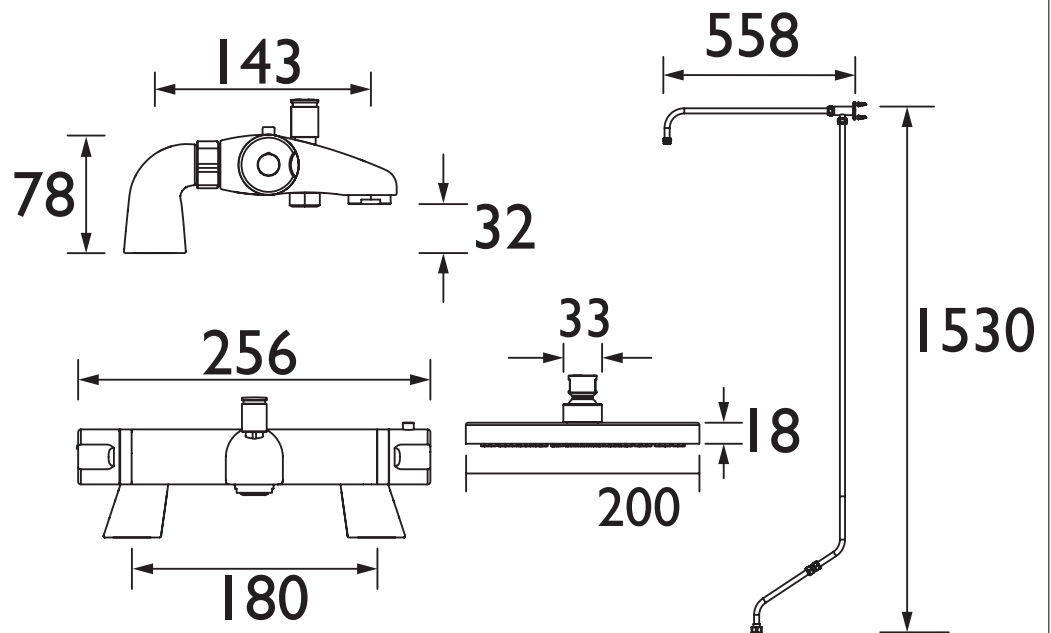
WRAS Cert. Number: 1709143  
WRAS Expiry Date: 30/09/2022



TMV2 Cert. Number: BC1816/1116  
TMV2 Expiry Date: 17/11/2021



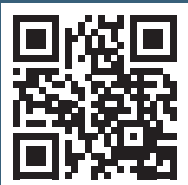
### Dimensions (measurements in mm)



### Flow Rates (l/min)

System Pressure (bar)	0.5	1	2	3	5
Through Handset (mixed)	11.3	15.9	22.6	27.7	35.7

For more products, visit our website:  
<http://www.bristan.com>



TECHNICAL  
DATA  
SHEET



**BRISTAN**

D2