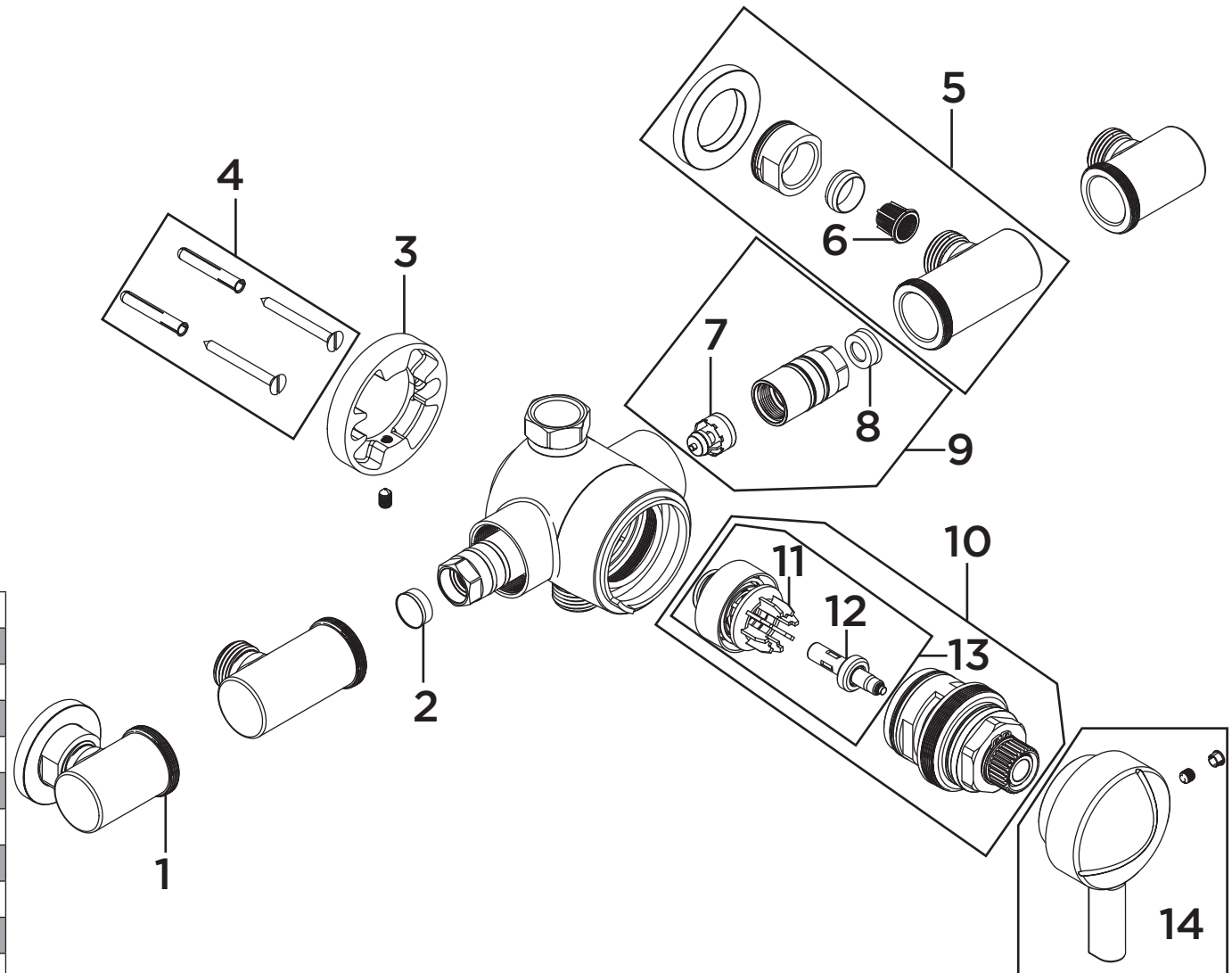
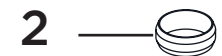
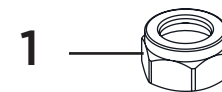
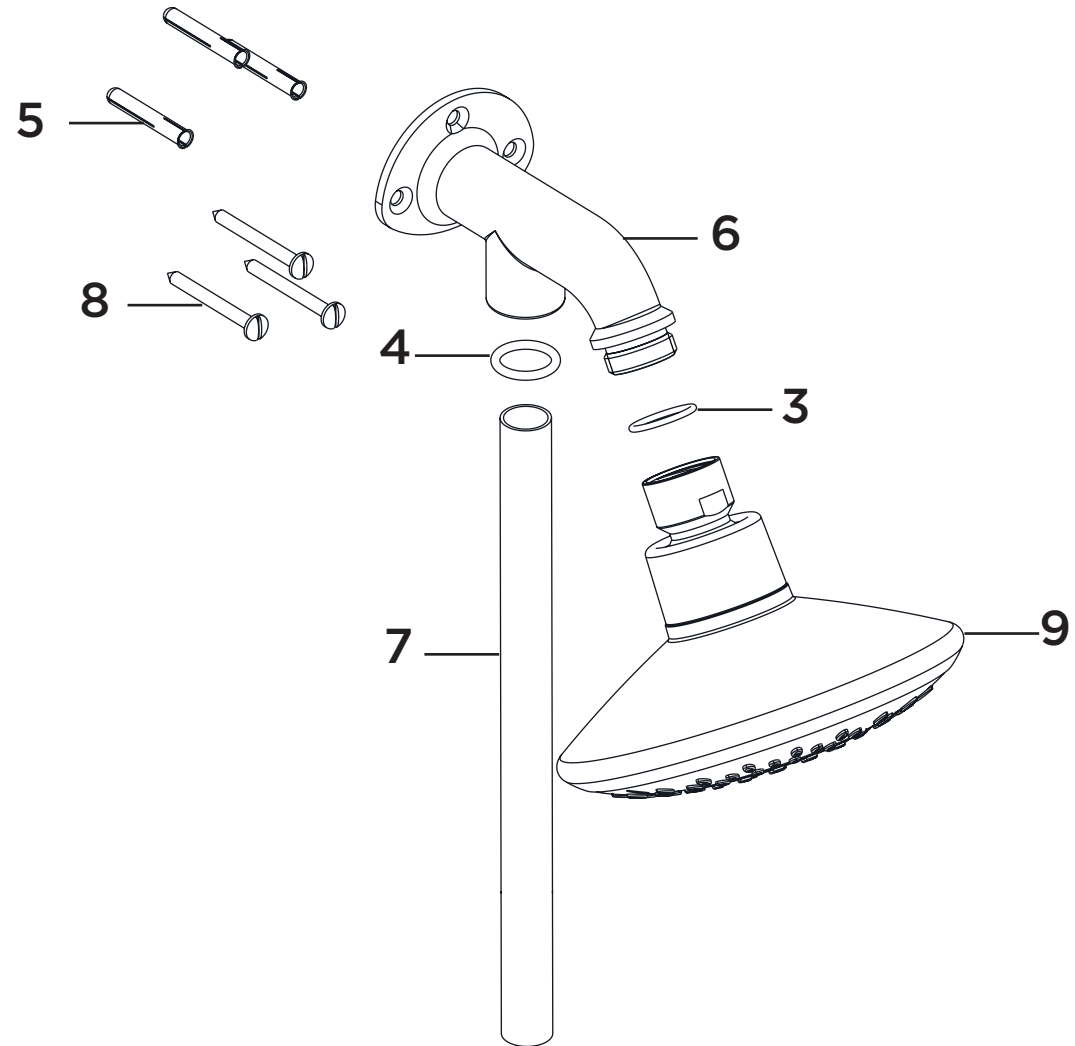


Product Code: MINI2 TS1203 RR C

Revision: D1



1	Short Elbow Assembly (Pair)
2	5lpm Flow Limiter
3	Backplate
4	Screw Pack
5	Long Elbow Assembly (Pair)
6	Filter
7	Check Valve
8	7lpm Flow Limiter
9	Elbow Support Assembly
10	Thermostatic Cartridge
11	Piston Assembly
12	Thermostat
13	Thermostat & Piston Assembly
14	Handle Assembly

Product Code: KIT115 C**Revision:** D1

1	15mm Compression Nut
2	15mm Compression Olive
3	O-Ring
4	O-Ring
5	Wall Plug
6	Tee-Joint
7	Riser Pipe
8	Screw
9	Fixed Shower Head