

# MINI2 TS1203 RR C COMMERCIAL Shower Range

OPAC Thermostatic Exposed Mini Shower Valve with Top Outlet Rigid Riser Chrome



## Features:

- Top Outlet mini-shower valve with Single sequential control for both temperature and flow
- Includes rigid riser kit and fixed shower head
- Easy to use lever handle
- Adjustable inlet elbows 110-155mm for ultimate retro-fit
- High performance even at 1 bar inlet pressure

## Product Certifications:



WRAS Certificate No: 240403011  
WRAS Expiry Date: 30/04/2029



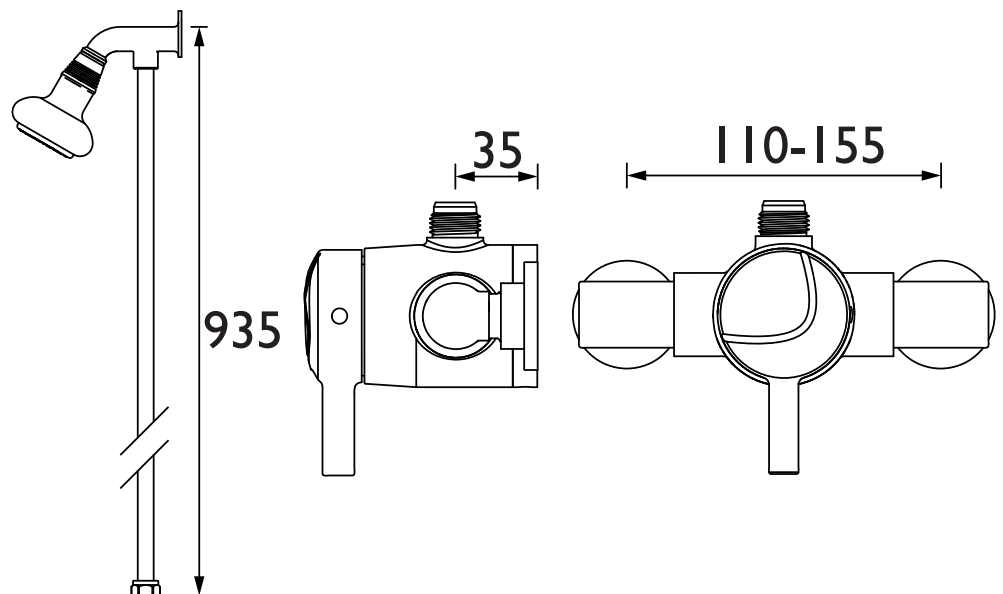
TMV2 Certificate No: 2503305  
TMV2 Designation: HP-SE  
TMV2 Expiry Date: 16/03/2030



## Specification

Finish/Colour:	Chrome Plated
Main Construction Material:	Brass
No of Controls:	1
Shower Type:	Sequential Mini Valve
Shower Head Type:	Fixed Head
Shower Kit:	Rigid Riser
Valve/Cartridge Type:	Sequential Cartridge
Maximum Hot Water Supply Temperature °C:	60
Plumbing System Suitability:	Suitable for high pressure systems only
Minimum Dynamic Pressure (bar):	1
Maximum Dynamic Pressure (bar):	5
Maximum Static Pressure (bar):	10
Connection Inlet:	15mm Compression
Connection Outlet:	G 1/2"
Isolation Valve Included:	No
Check Valve Included:	Yes

## Dimensions (measurements in mm)



## Flow Rates (l/min)

System Pressure (bar)	1	2	3	4	5
Through Fixed Head (mixed)	4.4	6.3	7.7	8.9	9.9

TECHNICAL  
DATA  
SHEET



**BRISTAN**

D8