

SK INXTT1 SR

INOX Sink Range Bristan Inox 2 Taphole Sink 1.0 Bowl Stainless Steel Right Drainer



Specification

Main Construction Material:	Stainless Steel
Number of Tap Holes:	2
Product Finish:	Stainless Steel
Sink Type:	1 Bowl
Connection Inlet:	1/2" BSP Flexible Tails
Connection Outlet:	G1 1/2"
Product Orientation:	Right Drainer
Drainage Flow Rate (litres per minute)	36.4

Features:

- Everything you need: strainer waste, overflow, pipework and fixings included
- Made to last: 0.6mm gauge, 304 grade 18/8 stainless steel for stain, corrosion and rust resistance
- 25 year guarantee (Easyfit base 5 years)
- Includes cutting-hole template

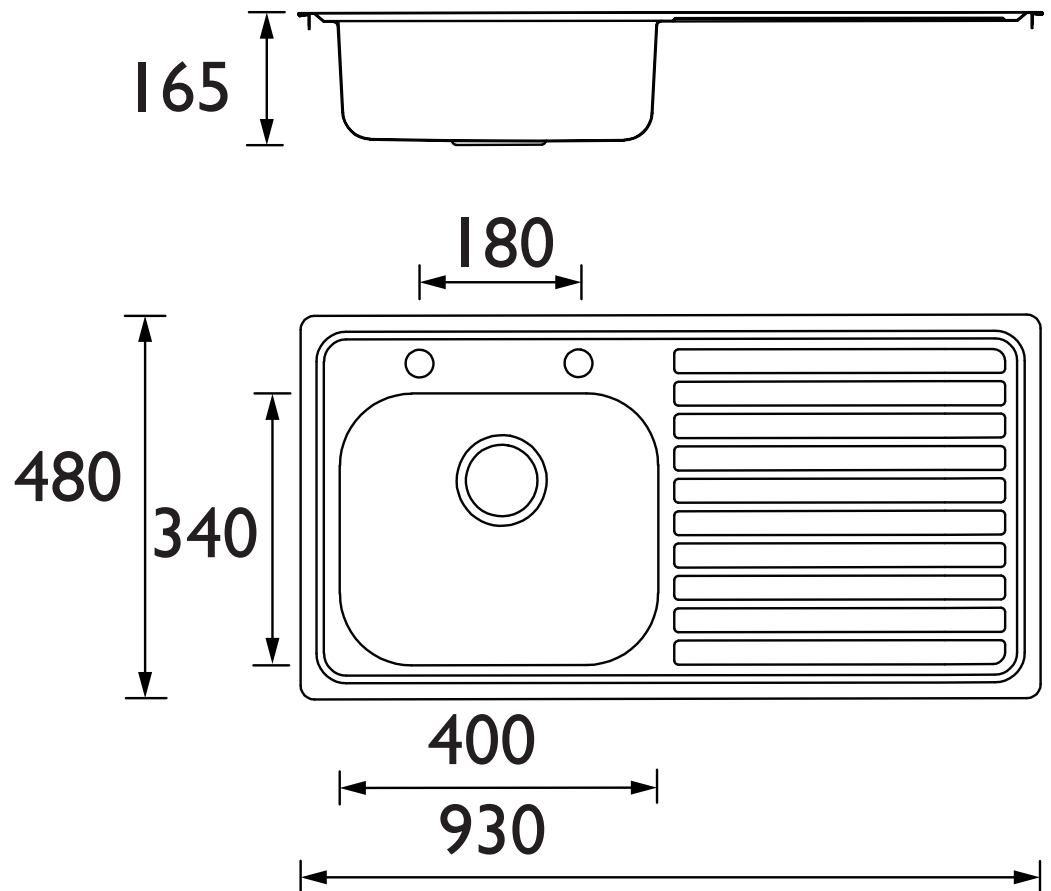
Product Certifications:



For more products, visit our website:
<http://www.bristan.com>



Dimensions (measurements in mm)



Minimum Cabinet Width: 500mm

TECHNICAL
DATA
SHEET



Kitchen Sinks



Tap



Waste Kit

BRISTAN

D3