

SK INXTT1 SL

INOX Sink Range Bristan Inox 2 Taphole Sink 1.0 Bowl Stainless Steel Left Drainer



Right Drainer Shown

Features:

- Everything you need: strainer waste, overflow, pipework and fixings included
- Made to last: 0.6mm gauge, 304 grade 18/8 stainless steel for stain, corrosion and rust resistance
- 25 year guarantee (Easyfit base 5 years)
- Includes cutting-hole template

Product Certifications:



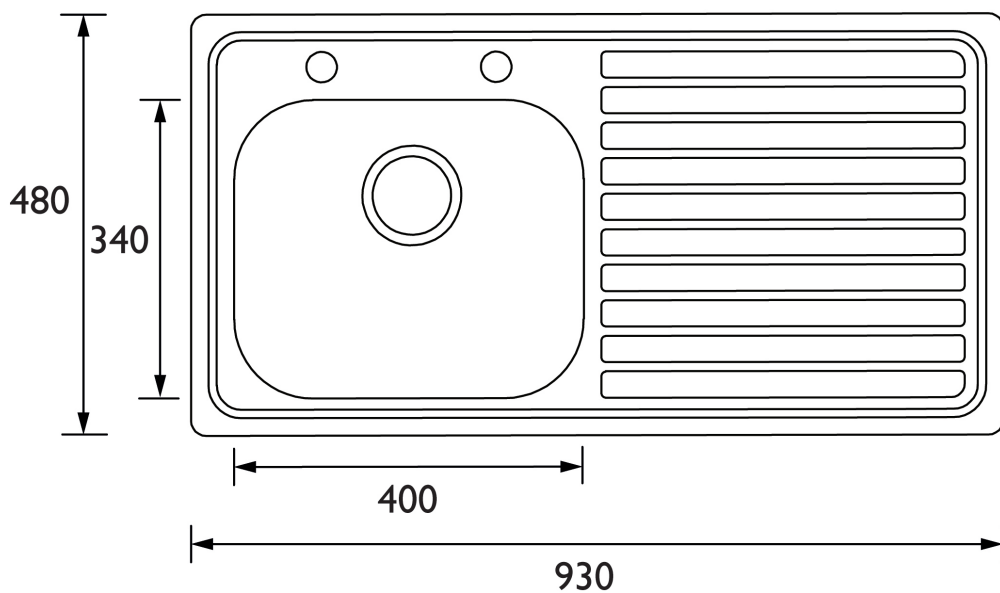
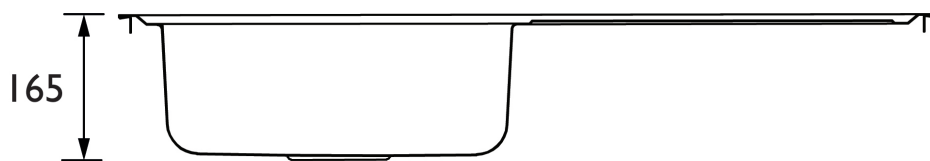
For more products, visit our website:
<http://www.bristan.com>



Specification

Main Construction Material:	Stainless Steel
Number of Tap Holes:	2
Product Finish:	Stainless Steel
Sink Type:	1 Bowl
Connection Inlet:	1/2" BSP Flexible Tails
Connection Outlet:	G1 1/2"
Product Orientation:	Left Drainer
Drainage Flow Rate (litres per minute)	36.4

Dimensions (measurements in mm)



Minimum Cabinet Width: 500mm

TECHNICAL
DATA
SHEET



Kitchen Sinks



Tap



Waste Kit

BRISTAN

TAPS & SHOWERS D2