

# SK INXRD1 SU

## INOX Sink Range Bristan Inox Easyfit Sink - 1.0 Bowl Stainless Steel Universal



### Specification

Main Construction Material:	Stainless Steel
Number of Tap Holes:	1
Product Finish:	Stainless Steel
Sink Type:	1 Bowl
Connection Inlet:	1/2" BSP Flexible Tails
Connection Outlet:	G1 1/2"
Product Orientation:	Universal
Drainage Flow Rate (litres per minute)	39.2

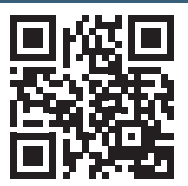
### Features:

- Easy installation: pre-fitted with Easyfit tap base, flexible inlet pipes and isolators
- Everything you need: strainer waste, overflow, pipework and fixings included
- Made to last: 0.6mm gauge, 304 grade 18/8 stainless steel for stain, corrosion and rust resistance
- Includes cutting-hole template
- 25 year guarantee (Easyfit base 10\* years)

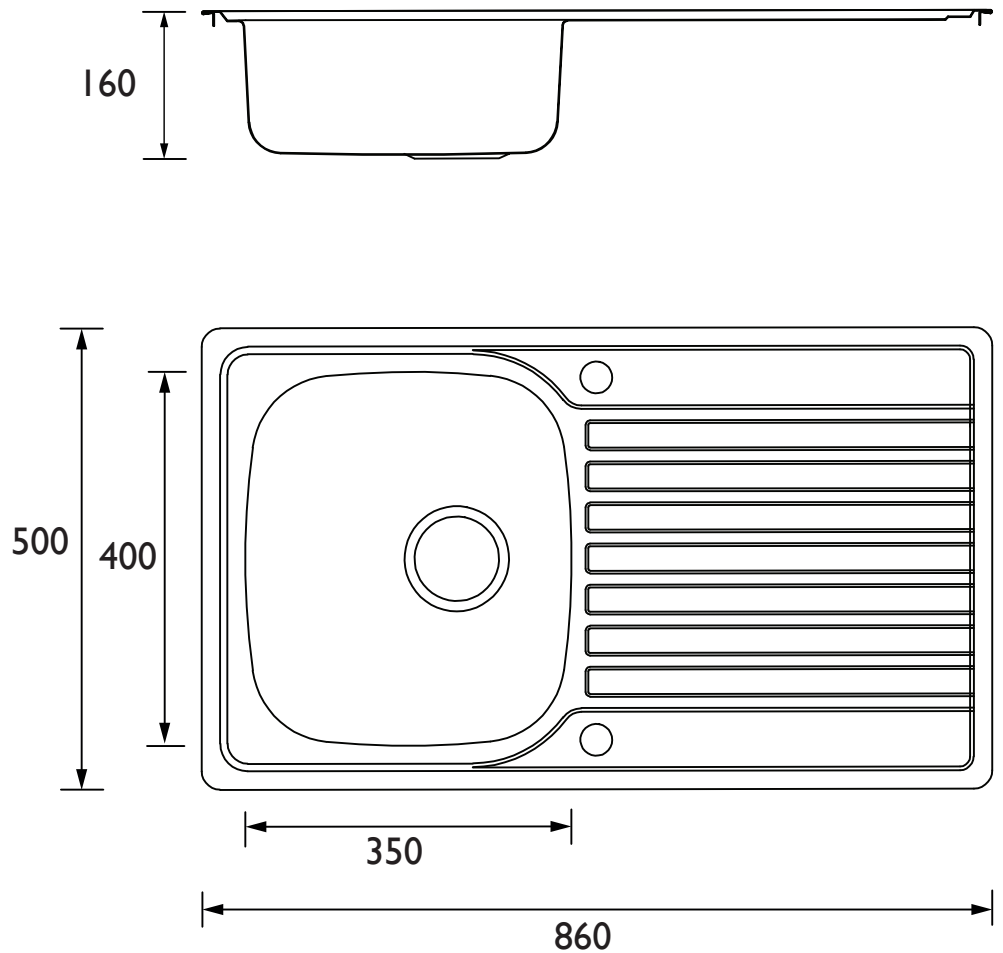
### Product Certifications:



For more products, visit our website:  
<http://www.bristan.com>



### Dimensions (measurements in mm)



Minimum Cabinet Width: 500mm

## TECHNICAL DATA SHEET



Kitchen Sinks Easyfit Base Easyfit Base\* Waste Kit

# BRISTAN

D4