

# SK INXRD1 SU CSH

## INOX Sink Range Bristan Inox EF Sink - 1.0 Bowl Steel Universal with Cashew Tap



1.5 Bowl Sink Shown

### Features:

- Easy installation: pre-fitted with Easyfit tap base, flexible inlet pipes and isolators
- Everything you need: tap, strainer waste, overflow, pipework and fixings included
- Made to last: 0.6mm gauge, 304 grade 18/8 stainless steel for stain, corrosion and rust resistance
- Includes cutting-hole template
- 25 year guarantee (Easyfit base 10 years)

### Product Certifications:



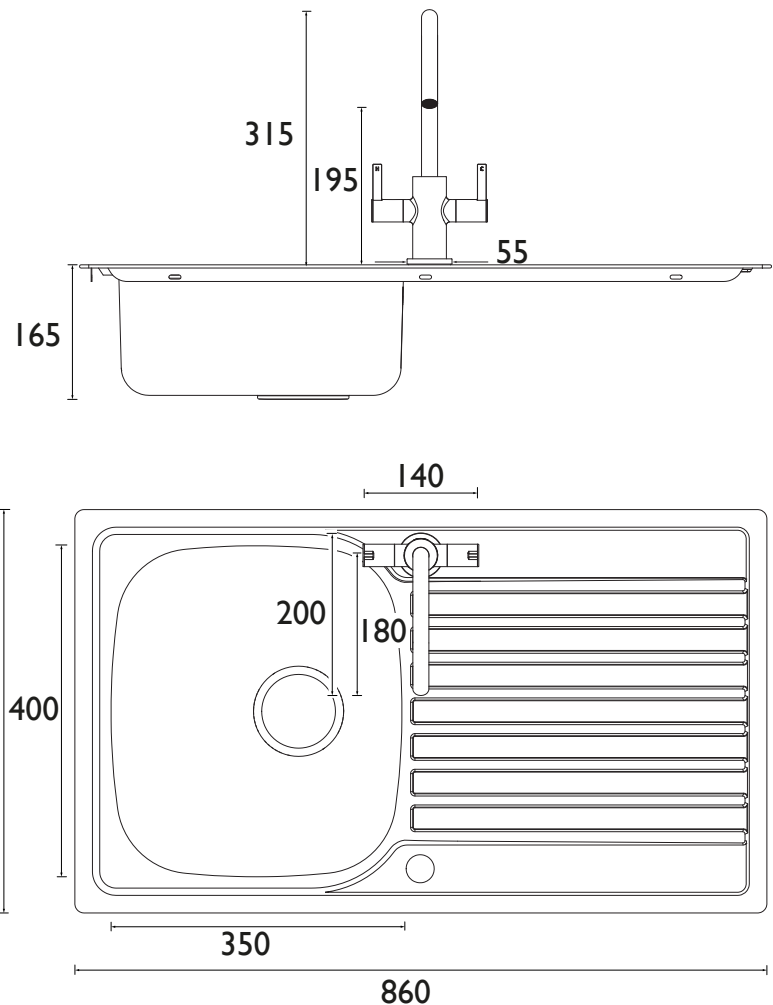
For more products, visit our website:  
<http://www.bristan.com>



### Specification

Main Construction Material:	Brass; Stainless Steel
Number of Tap Holes:	1
Product Finish:	Stainless Steel
Sink Type:	1 Bowl
Connection Inlet:	1/2" BSP Flexible Tails
Connection Outlet:	G1 1/2"
Product Orientation:	Universal
Drainage Flow Rate (litres per minute)	39.2

### Dimensions (measurements in mm)



Minimum Cabinet Width: 500mm

## TECHNICAL DATA SHEET



Kitchen Sinks Easyfit Tap Easyfit Tap Easyfit Base Waste Kit

# BRISTAN

TAPS & SHOWERS D3