

SK INXRD1.5 SU CSH

INOX Sink Range Bristan Inox EF Sink - 1.5 Bowl Steel Universal with Cashew Tap



Specification	
Main Construction Material:	Brass; Stainless Steel
Number of Tap Holes:	1
Product Finish:	Stainless Steel
Sink Type:	1.5 Bowl
Connection Inlet:	1/2" BSP Flexible Tails
Connection Outlet:	G1 1/2"
Product Orientation:	Universal
Drainage Flow Rate (litres per minute)	40.6

Features:

- Easy installation: pre-fitted with Easyfit tap base, flexible inlet pipes and isolators
- Everything you need: tap, strainer waste, overflow, pipework and fixings included
- Made to last: 0.6mm gauge, 304 grade 18/8 stainless steel for stain, corrosion and rust resistance
- Includes cutting-hole template
- 25 year guarantee (Easyfit base 5 years)

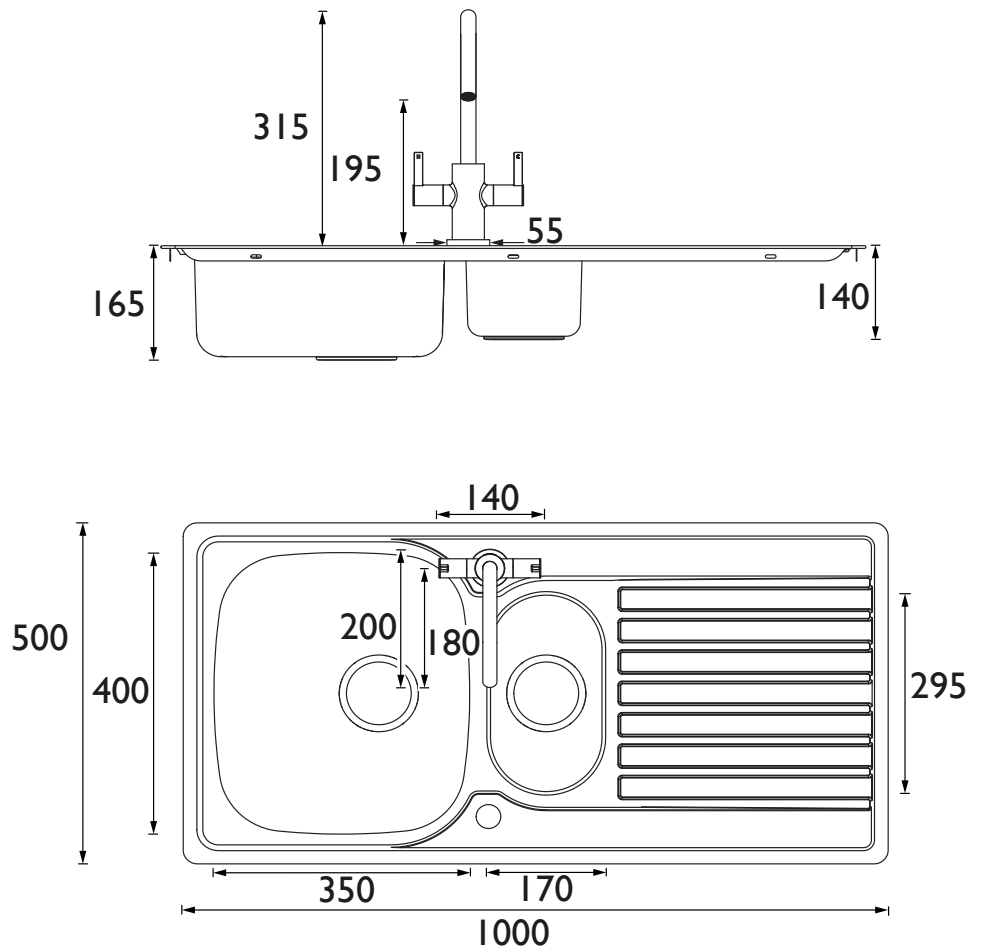
Product Certifications:



For more products, visit our website:
<http://www.bristan.com>



Dimensions (measurements in mm)



Minimum Cabinet Width: 600mm

**TECHNICAL
DATA
SHEET**



Kitchen Sinks



Tap



Waste Kit

BRISTAN
TAPS & SHOWERS D2