

GLL RAPSNK4 C

GALLERY Tap Range Gallery Rapid Boiling 4-in-1 Sink Mixer Chrome



Features:

- Everything you need: tap, tails, tank, pressure reducing valve and filter included
- Safety: Touch control handle requires a few seconds contact to dispense boiling water, avoiding accidental activation
- Safe to touch spout: Boiling water is stored in the tank not in the tap reducing the risk of scalding
- Quality: Hard wearing, flawless finish that lasts
- Perfect taste: Supplied in-line filter cartridge to minimise limescale and prolong the life of your tank, as well as absorbing chlorine and other chemicals to give you the perfect tasting filtered cold water, tea or coffee

Product Certifications:



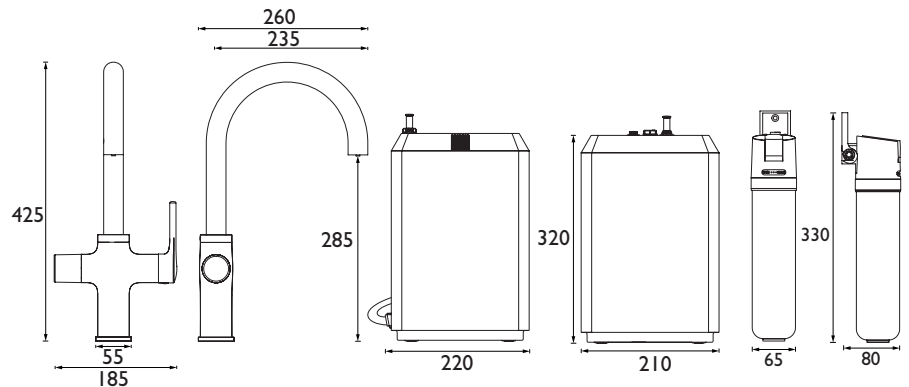
For more products, visit our website:
<http://www.bristan.com>



Specification

Product Type:	Kitchen Taps
Main Construction Material:	Brass; ABS
Mount Type:	Deck
Handle Type:	1 Lever Handle, 1 LED Push-button Handle
Connection Inlet:	1/2" BSP Flexible Tails
Number of Tap Holes:	1
Tank Capacity:	3 litres
Temperature Settings:	4 Settings; Min: 80°C Max: 98°C
Plumbing System Requirements:	Suitable for high pressure systems only
Working Pressure Range:	Min: 1.5 bar Max: 3 bar
Maximum Hot Water Temperature: °C	65
Maximum Static Pressure: (bar)	3
Flow Type:	Dual
Isolation Included:	No
Power Rating:	1.83 - 2.0kW
Electrical Supply Requirements:	230-240 AC, 50 Hz, IPX3 Protection

Dimensions (measurements in mm)



Flow Rates (l/min)

System Pressure (bar)	1.5	2	3
GLL RAPSNK4 C (Mixed)	10	11.7	14.3
GLL RAPSNK4 C (Boiling Water)	2	2	2
GLL RAPSNK4 C (Filtered Water)	2	2	2

TECHNICAL
DATA
SHEET



BRISTAN

D3