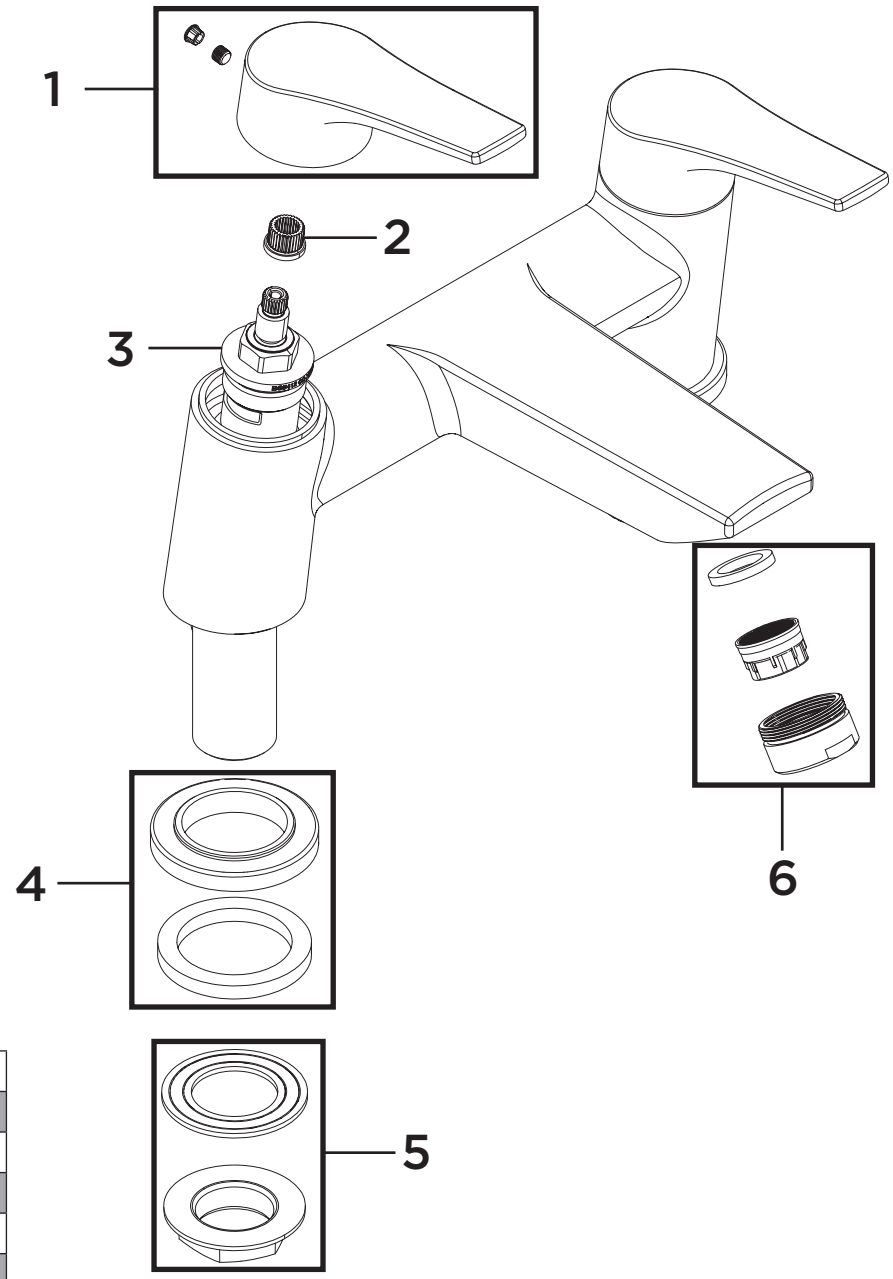


Product Code: VT2 BF C
Revision: D1



1	Handle Assembly (Pair)
2	Spline Adaptor
3	3/4" Ceramic Disc Valves (Pair)
4	Plinth & Washer
5	Backnut & Washer (Pair)
6	M24 Aerator