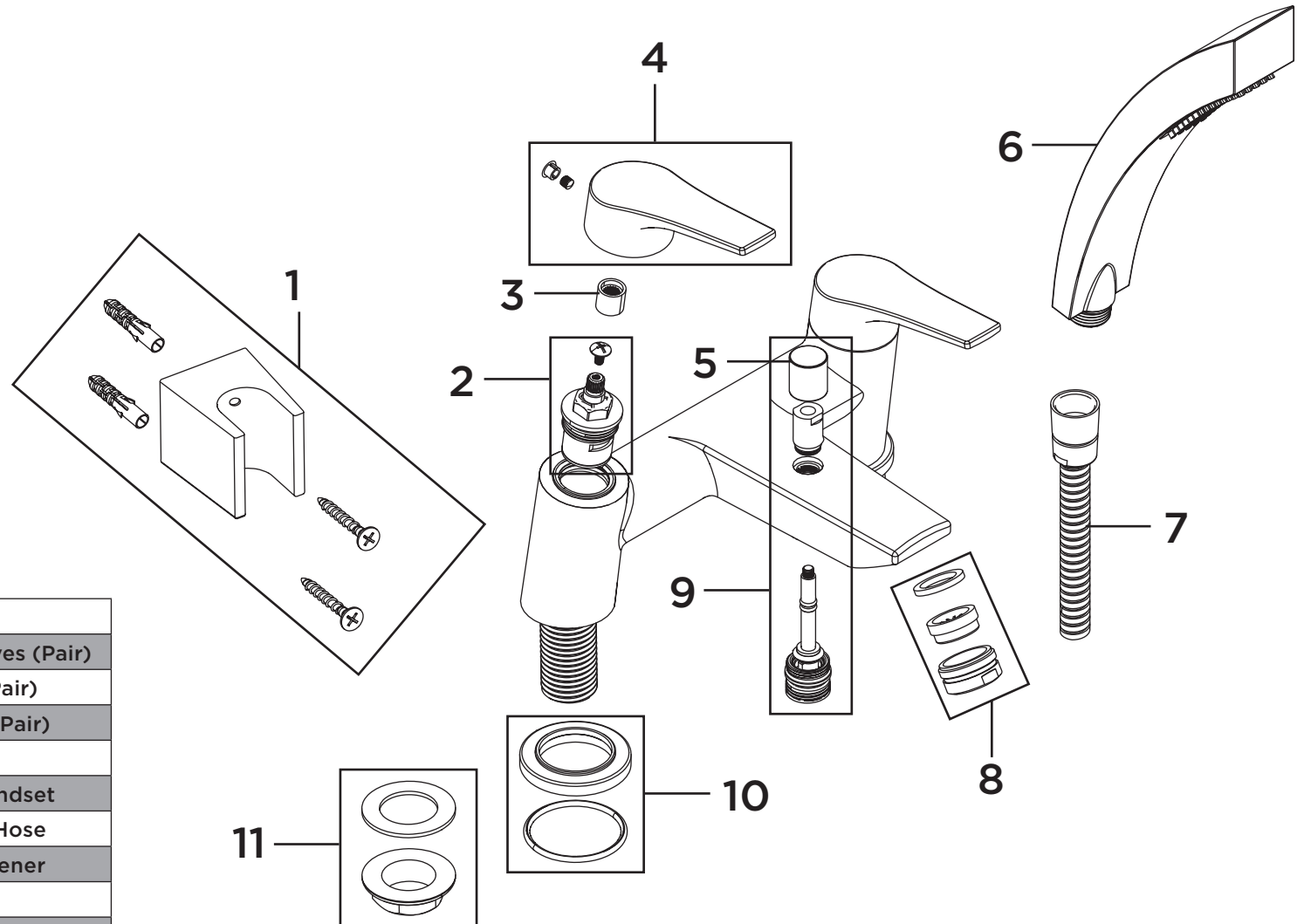


Product Code: VT2 BSM C

Revision: D3



1	Wall Bracket
2	3/4" Ceramic Disc Valves (Pair)
3	Spline Adaptor (Pair)
4	Handle Assembly (Pair)
5	Diverter Knob
6	Single Function Handset
7	1.5m Cone to Nut Hose
8	M28 Flow Straightener
9	Diverter Valve
10	Plinth & Washer (Pair)
11	3/4" Backnut & Washer (Pair)