

VT2 3/4 C

VANTAGE Tap Range Vantage 2 Bath Taps Chrome



Features:

- Long life and easy to use 1/4 turn ceramic disc valves
- Metal back nuts for added durability
- Chrome plated to BS EN 248

Product Certifications:



WRAS Certificate No:
TA|31/03/2025_2003904
WRAS Expiry Date:
TA|31/03/2025_2003904



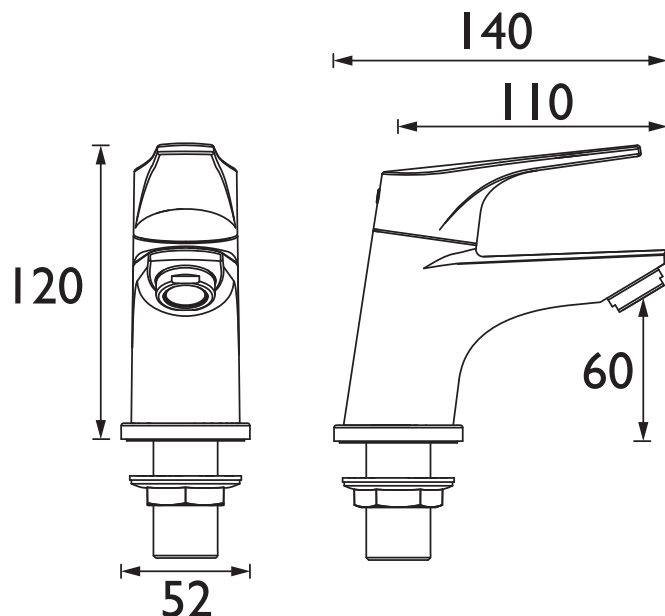
For more products, visit our website:
<http://www.bristan.com>



Specification

Product Type:	Bathroom Taps
Main Construction Material:	Brass
Mount Type:	Deck
Handle Type:	Lever
Connection Inlet:	3/4" BSP
Connection Outlet:	M24 Aerator
Number of Tap Holes:	2
Valve/Cartridge Type:	3/4" Ceramic Disc Valve
Plumbing System Requirements:	Suitable for all plumbing systems
Minimum Dynamic Pressure (bar):	0.3 bar
Maximum Dynamic Pressure (bar):	5 bar
Maximum Hot Water Temperature °C:	65°C
Maximum Static Pressure (bar):	10 bar
Flow Type:	Single
Isolation Included:	NO

Dimensions (measurements in mm)



Flow Rates (l/min)

System Pressure (bar)	0.3	0.5	1	2	3	5
VT2 3/4 C (mixed)	17.1	22.1	30.9	43.8	53.6	69.3

TECHNICAL DATA SHEET



BRISTAN

D5