

# VT2 BASNW C

## VANTAGE Tap Range Vantage 2 Basin Mixer without Waste Chrome



### Features:

- Long life ceramic cartridge for added durability and smooth control.
- A hard-wearing, flawless, scratch resistant chrome finish that lasts for years. Salt spray tested to ensure added durability.
- 10 year parts and 1 year labour guarantee for peace of mind.
- Co-ordinating Bathroom taps, Recess shower and Accessories available.

### Product Certifications:



WRAS Certificate No: 250403303  
WRAS Expiry Date: 30/04/2030



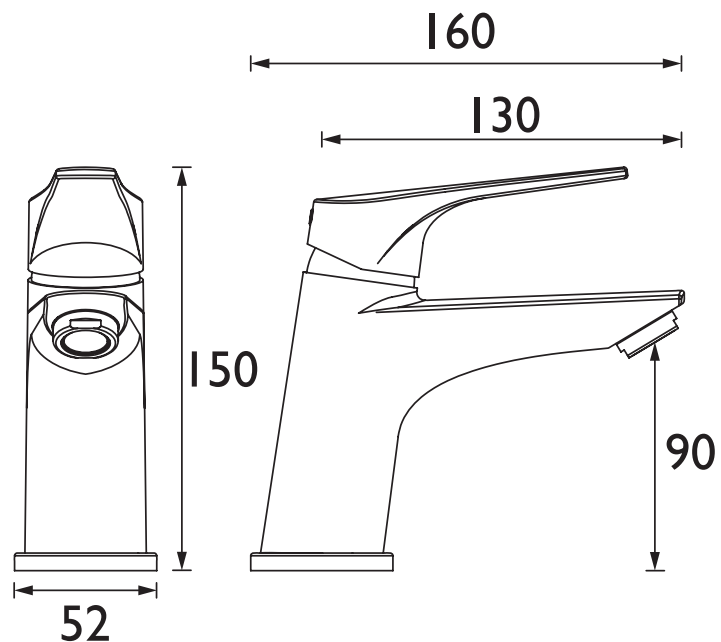
For more products, visit our website:  
<http://www.bristan.com>



### Specification

Product Type:	Bathroom Taps
Main Construction Material:	Brass
Mount Type:	Deck Mounted
Handle Type:	Lever Handle
Connection Inlet:	M10 x 350mm 1/2" BSP Flexible Tails
Connection Outlet:	M24 Aerator
Number of Tap Holes:	1
Valve/Cartridge Type:	35mm Stepped Cartridge
Plumbing System Requirements:	Suitable for all plumbing systems
Minimum Dynamic Pressure (bar):	0.4 bar
Maximum Dynamic Pressure (bar):	5.0 bar
Maximum Hot Water Temperature °C:	65°C
Maximum Static Pressure (bar):	10 bar
Flow Type:	Single Flow
Isolation Included:	No

### Dimensions (measurements in mm)



### Flow Rates (l/min)

System Pressure (bar)	0.4	0.5	1	2	3	5
VT2 BASNW C (mixed)	5.3	5.9	8.4	11.8	14.5	18.7

## TECHNICAL DATA SHEET



# BRISTAN

D8