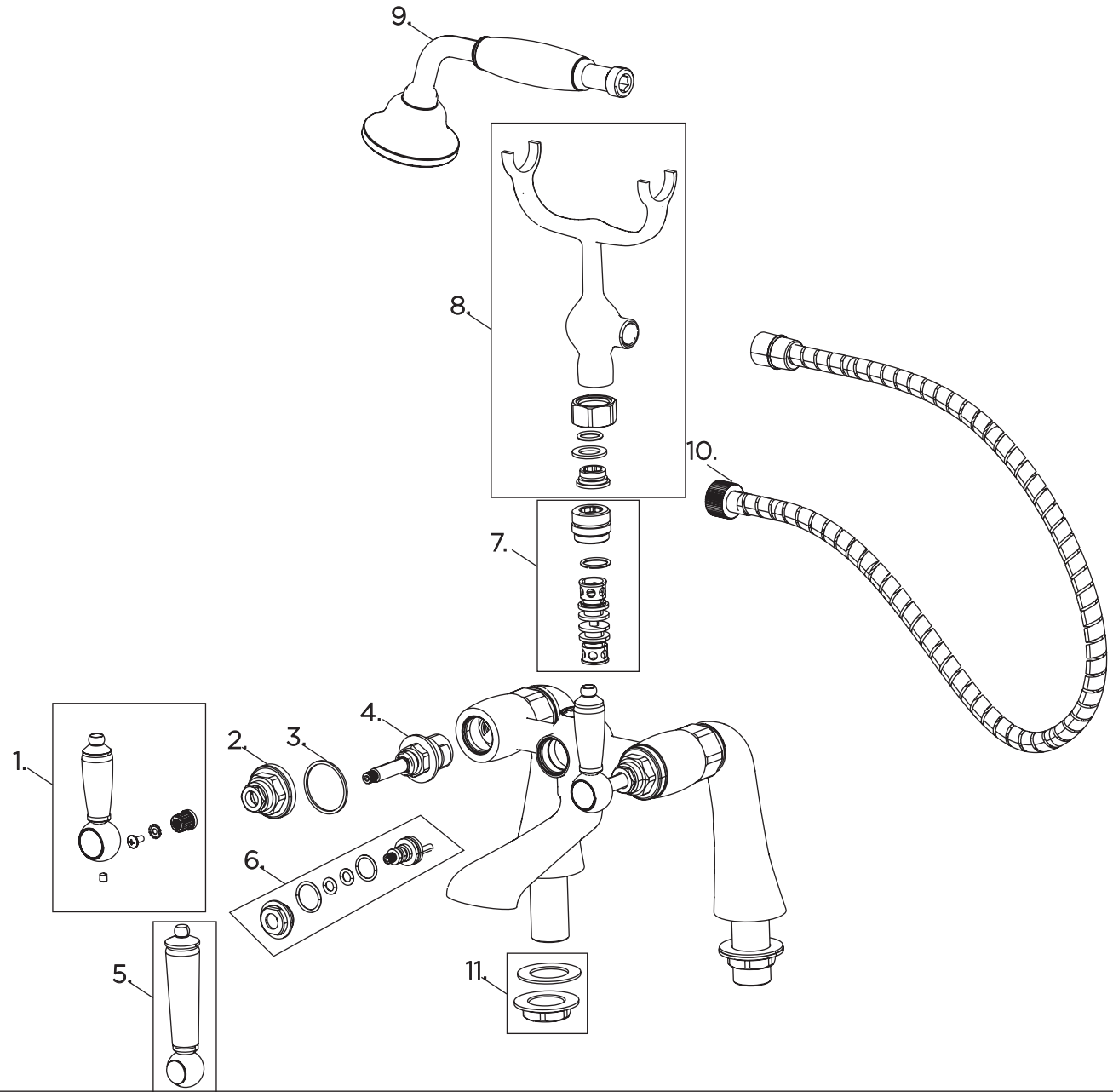


Product Code: RS2 BSM C
Revision: R1



1	Handle Assembly
2	Shroud
3	Decorative Fibre Washer
4	Valve
5	Diverter Lever
6	Diverter Mechanism
7	Shuttle
8	Cradle
9	Handset
10	Hose
11	Fixing Kit