

# RS2 BSM C

# RENAISSANCE Tap Range

## Renaissance 2 Bath Shower Mixer Chrome



### Specification

Product Type:	Bathroom Taps
Main Construction Material:	Brass
Mount Type:	Deck Mounted
Handle Type:	Lever Handles
Connection Inlet:	3/4" BSP
Connection Outlet:	G 1/2"
Number of Tap Holes:	2
Valve/Cartridge Type:	3/4" Ceramic Disc Valves
Plumbing System Requirements:	Suitable for all plumbing systems
Minimum Dynamic Pressure (bar):	0.2 bar
Maximum Dynamic Pressure (bar):	5 bar
Maximum Hot Water Temperature °C:	65°C
Maximum Static Pressure (bar):	10 bar
Flow Type:	Single Flow
Isolation Included:	No

### Features:

- Uniquely designed Timeless detailing for traditional bathrooms.
- Hand-finished handles using precision watchmaker techniques.
- Long life and easy to use 1/4 turn ceramic disc valves
- Includes 1.5m hose and single function handset

### Product Certifications:



WRAS Cert. No: 2206325  
WRAS Expiry Date: 30/06/2027



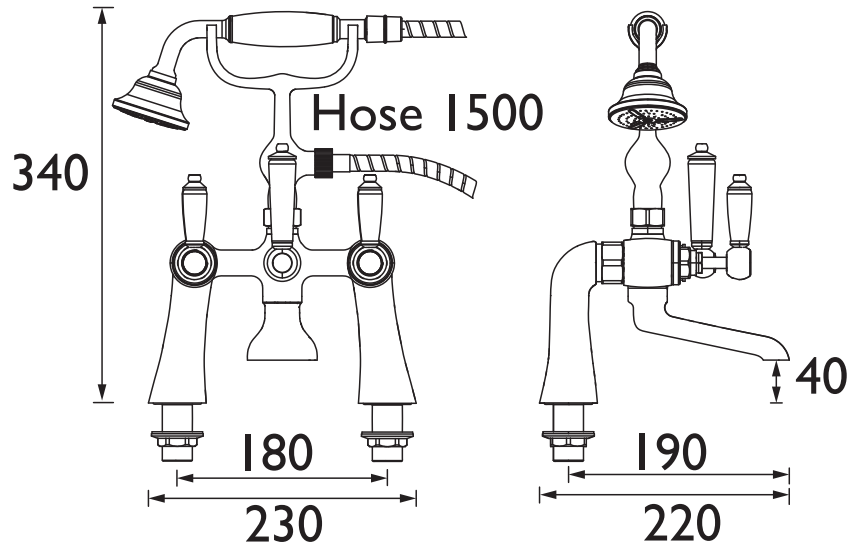
Kiwa Cert. No: 2206732  
Kiwa Expiry Date: 14/07/2027



For more products, visit our website:  
<http://www.bristan.com>



### Dimensions (measurements in mm)



### Flow Rates (l/min)

System Pressure (bar)	0.2	0.5	1	2	3	5
RS2 BSM C (mixed)	14.8	23.4	33.1	46.8	57.3	74

# TECHNICAL DATA SHEET



# BRISTAN