

RS2 VAN C

RENAISSANCE Tap Range

Renaissance 2 Vanity
Basin Taps Chrome



Features:

- Uniquely designed Timeless detailing for traditional bathrooms.
- Hand-finished handles using precision watchmaker techniques.
- Long life and easy to use 1/4 turn ceramic disc valves
- Metal fixing nut for added durability

Product Certifications:



WRAS Certificate No: 2206908
WRAS Expiry Date: 30/06/2027



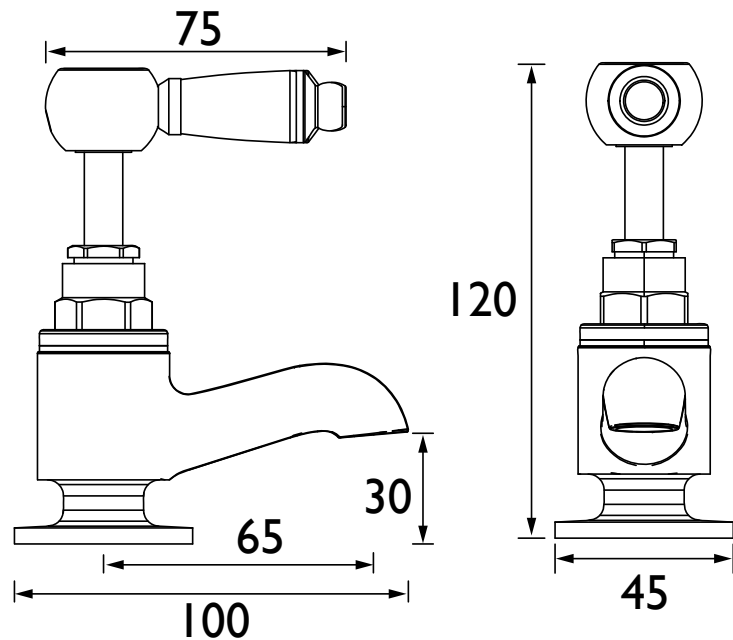
For more products, visit our website:
<http://www.bristan.com>



Specification

Product Type:	Bathroom Taps
Main Construction Material:	Brass
Mount Type:	Deck
Handle Type:	Paddle
Connection Inlet:	1/2" BSP
Connection Outlet:	Open
Number of Tap Holes:	2
Valve/Cartridge Type:	1/2" Ceramic Disc Valve - 1/4 turn
Plumbing System Requirements:	Suitable for all plumbing systems
Minimum Dynamic Pressure (bar):	0.2 bar
Maximum Dynamic Pressure (bar):	5 bar
Maximum Hot Water Temperature °C:	65°C
Maximum Static Pressure (bar):	10 bar
Isolation Included:	No

Dimensions (measurements in mm)



Flow Rates (l/min)

System Pressure (bar)	0.2	0.5	1	2	3	5
RS2 VAN C (Cold)	8.3	13.2	18.6	26.4	32.3	41.7
RS2 VAN C (Hot)	8.9	14	19.9	28.1	34.4	44.4

TECHNICAL
DATA
SHEET



BRISTAN

D2