

TY2 BID C

TRINITY Tap Range

Trinity 2 Bidet Mixer With
Pop Up Waste Chrome



Specification

Product Type:	Bathroom Taps
Main Construction Material:	Brass
Mount Type:	Deck Mounted
Handle Type:	Crosshead
Connection Inlet:	15mm Copper Tails
Connection Outlet:	M24 Anti-Splash
Number of Tap Holes:	1
Valve/Cartridge Type:	1/2" Compression Valves
Plumbing System Requirements:	Suitable for all plumbing systems
Working Pressure Range:	Min 0.2 bar, Max 5.0 bar
Maximum Hot Water Temperature: °C	65
Maximum Static Pressure: (bar)	10
Flow Type:	Single
Isolation Included:	No

Features:

- Uniquely designed Timeless detailing for traditional bathrooms.
- Hand-finished handles using precision watchmaker techniques.

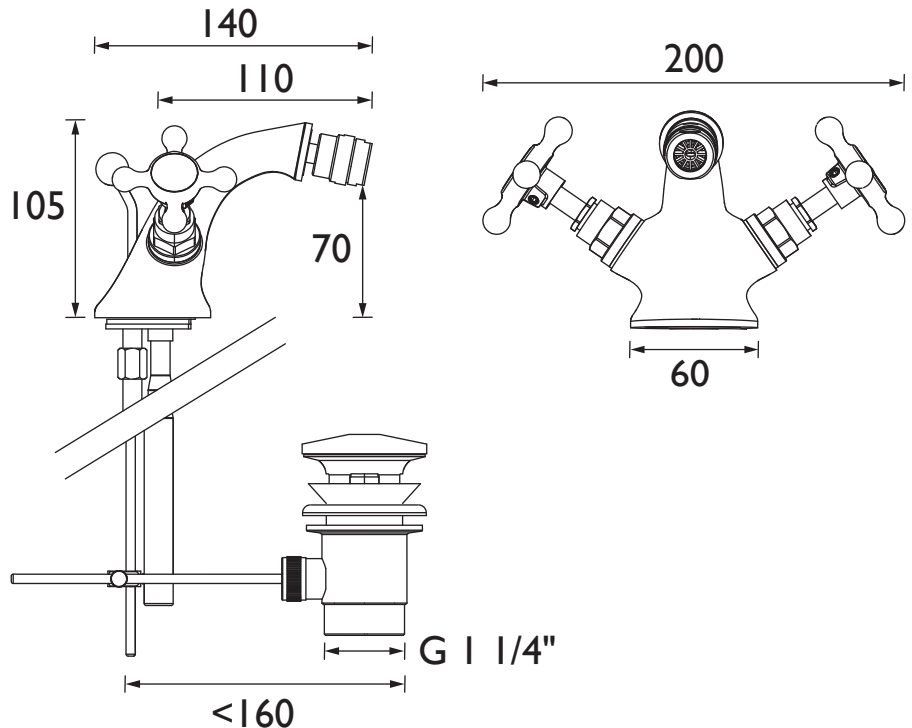
Product Certifications:



For more products, visit our website:
<http://www.bristan.com>



Dimensions (measurements in mm)



Flow Rates (l/min)

System Pressure (bar)	0.2	0.5	1	2	3	5
TY2 BID C	9.7	16.3	23.4	33.6	38.9	48.1

TECHNICAL DATA SHEET



BRISTAN

TAPS & SHOWERS

D2