

# TY2 3HBF C

## TRINITY Tap Range Trinity 2 Three Hole Bath Filler



### Specification

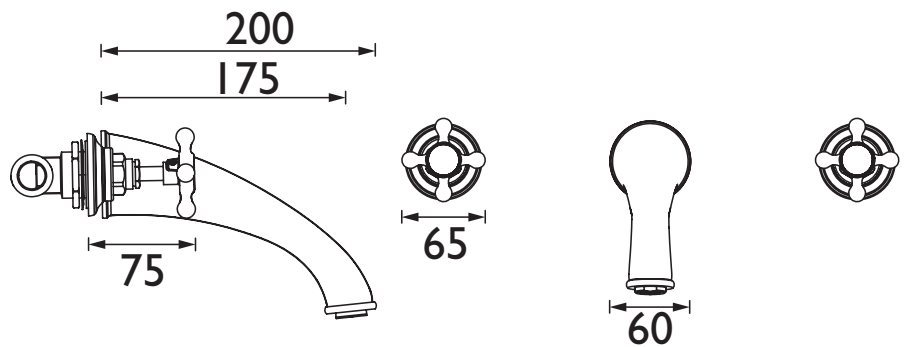
<b>Product Type:</b>	Bathroom Taps
<b>Main Construction Material:</b>	Brass
<b>Mount Type:</b>	Wall Mounted
<b>Handle Type:</b>	Crosshead
<b>Connection Inlet:</b>	G 1/2" Female
<b>Connection Outlet:</b>	M24 Anti-Splash
<b>Number of Tap Holes:</b>	3
<b>Valve/Cartridge Type:</b>	3/4" Compression Valves
<b>Plumbing System Requirements:</b>	Suitable for all plumbing systems
<b>Minimum Dynamic Pressure (bar):</b>	0.2 bar
<b>Maximum Dynamic Pressure (bar):</b>	5.0 bar
<b>Maximum Hot Water Temperature °C:</b>	65°C
<b>Maximum Static Pressure (bar):</b>	10 bar
<b>Flow Type:</b>	Single
<b>Isolation Included:</b>	No

### Features:

- Uniquely designed Timeless detailing for traditional bathrooms.
- Hand-finished handles using precision watchmaker techniques.
- Minimum working pressure of 0.2 bar

### Product Certifications:

### Dimensions (measurements in mm)



For more products, visit our website:  
<http://www.bristan.com>



### Flow Rates (l/min)

System Pressure (bar)	0.2	0.5	1	2	3	5
TY2 3HBF C (mixed)	17.8	28.2	39.8	56.3	69	89.1

TECHNICAL  
DATA  
SHEET



**BRISTAN**

D4