

D2 3/4 C CD

ART DECO Tap Range

Art Deco 2 Bath Taps Chrome
With CD Valves



Specification

| | |
|--|------------------------------------|
| Product Type: | Bathroom Taps |
| Main Construction Material: | Brass |
| Mount Type: | Deck |
| Handle Type: | Crosshead |
| Connection Inlet: | 3/4" BSP Connections |
| Connection Outlet: | Open |
| Number of Tap Holes: | 2 |
| Valve/Cartridge Type: | 3/4" Ceramic Disc Valve - 1/4 turn |
| Plumbing System Requirements: | Suitable for all plumbing systems |
| Minimum Dynamic Pressure (bar): | 0.2 bar |
| Maximum Dynamic Pressure (bar): | 5.0 bar |
| Maximum Hot Water Temperature °C: | 65°C |
| Maximum Static Pressure (bar): | 10 bar |
| Isolation Included: | No |

Features:

- Uniquely designed Timeless detailing for traditional bathrooms.
- Hand-finished handles using precision watchmaker techniques.
- Long life and easy to use 1/4 turn ceramic disc valves
- Metal fixing nut for added durability

Product Certifications:

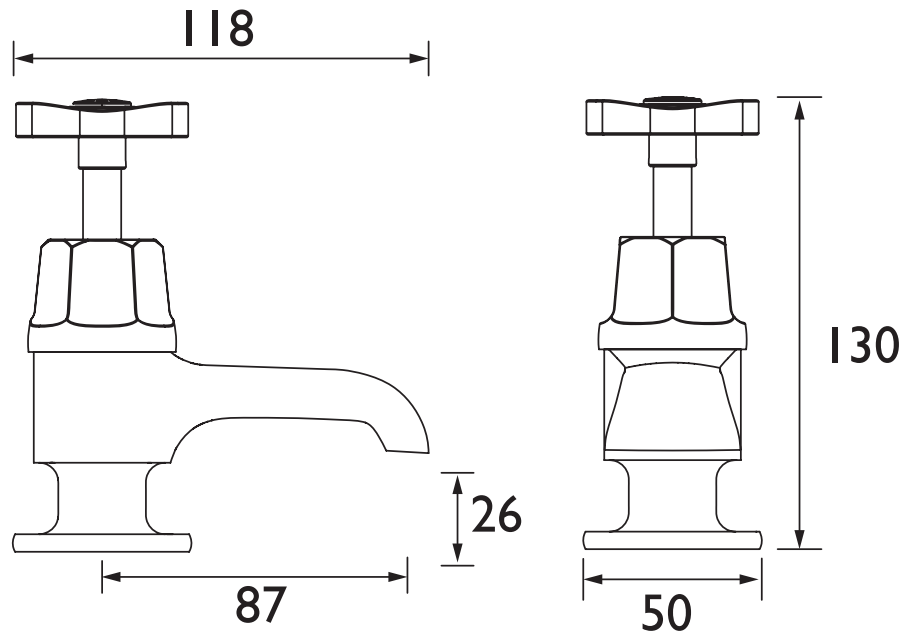


WRAS Certificate No: 2007907
WRAS Expiry Date: 31/07/2025

For more products, visit our website:
<http://www.bristan.com>



Dimensions (measurements in mm)



Flow Rates (l/min)

| System Pressure (bar) | 0.2 | 0.5 | 1 | 2 | 3 | 5 |
|-----------------------|------|-----|------|------|------|------|
| D2 3/4 C CD (Cold) | 17.1 | 27 | 38.2 | 54.1 | 66.2 | 85.5 |
| D2 3/4 C CD (Hot) | 17.1 | 27 | 38.2 | 54.1 | 66.2 | 85.5 |

TECHNICAL
DATA
SHEET



BRISTAN

D5