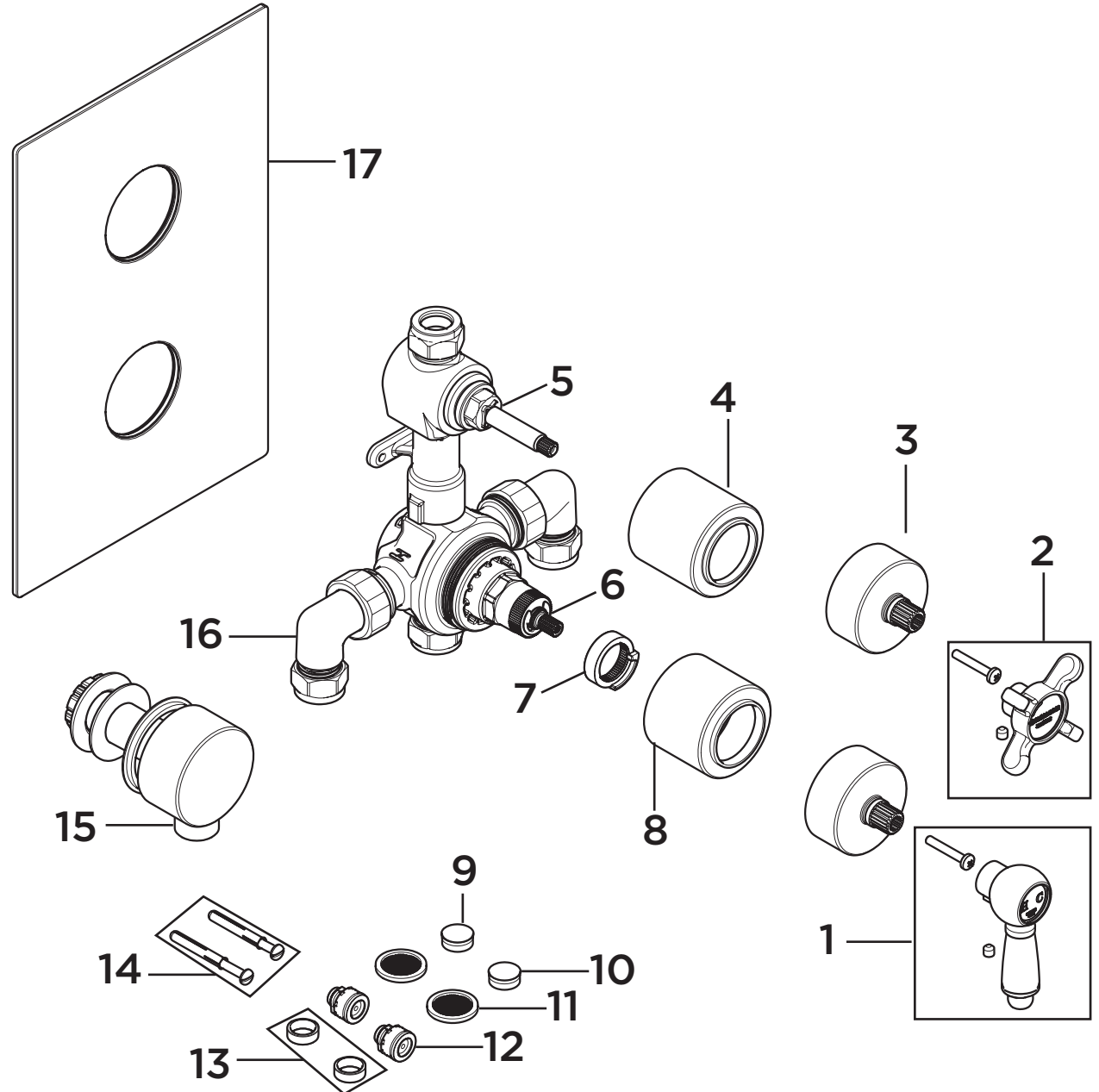


**Product Code:** RS2 SHCVO C

**Revision:** D2



1	Temperature Handle
2	Flow Handle
3	Handle Shroud
4	Flow Valve Shroud
5	3/4" Ceramic Disc Valve
6	35mm Thermostatic Cartridge
7	Temperature Stop
8	Temperature Valve Shroud
9	7lpm Flow Limiter
10	5lpm Flow Limiter
11	Filter Washer
12	Check Valve
13	Inserts (Pair)
14	Screw Pack
15	Wall Outlet Assembly
16	Elbow Assembly
17	Concealing Plate